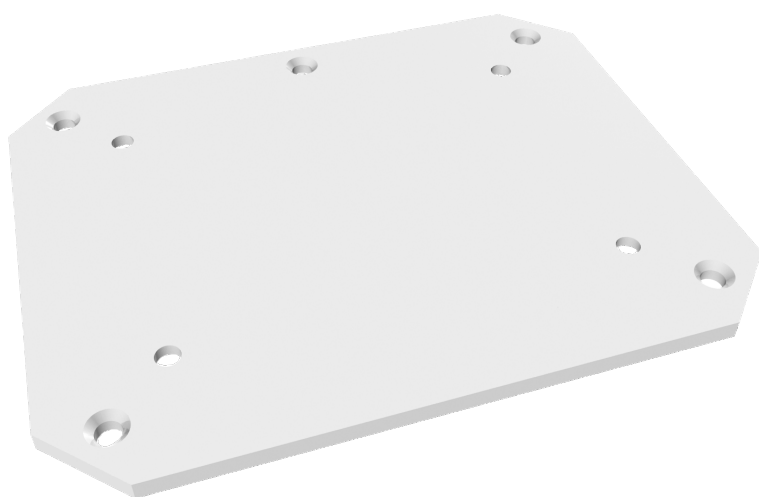


FLOOR PLATE FOR LITE SERIES (CCELW-AF + RLI...), FOR FIXED FLOOR MOUNTING

SMALL, 29 X 23 CM

PRODUCT

With the PSTSCETASLI floor plate, you can mount the display stands from our Lite series (CCELW-AF RLI..) firmly on the floor as an addition to mounting on the wall only, giving the system extra support. Thus, making mounting on dry walls easily possible. The plate is extra small, so that the system occupies as little space on the ground as possible.



FEATURES

- > Extra small floor plate for fixed floor mounting
- > 4 small holes to fix aluminum columns and
- > 5 larger ones to fix floor plate to the ground
- > Dimension, W/D: 285 x 230 mm
- > Steel, 6 mm, RAL 9006 white aluminum only

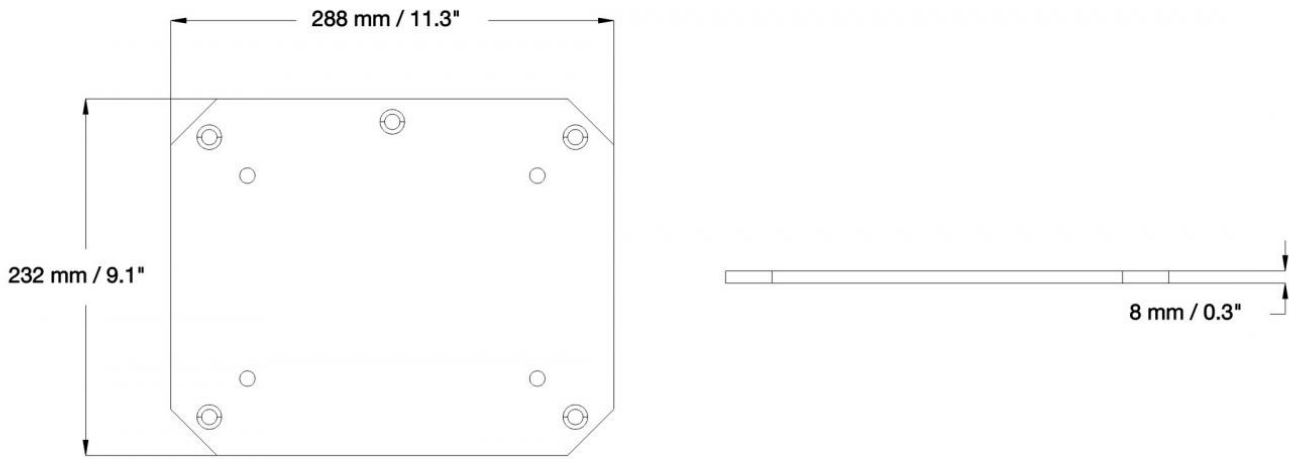


Display mount

Item number	PSTSCETASLI	
Width / Height / Depth	288 mm / 8 mm / 232 mm	11.3" / 0.3" / 9.1"
Weight	3 kg	6.5 lbs
Packages	Package dimensions WxHxD	Package weight
PSTSCETASLI	285 x 6 x 230 mm / 11.2 x 0.2 x 9.1"	3 kg / 6.6 lbs

DIMENSIONS

in mm / inch



MANUFACTURER:

CONEN Produkte GmbH
 Conenstr. 4
 54497 Morbach-Gonzerath

Phone: +49 (0) 6533 75-100
 Fax: +49 (0) 6533 75-600
 E-Mail: info@conenmounts.com

Germany

www.conenmounts.com