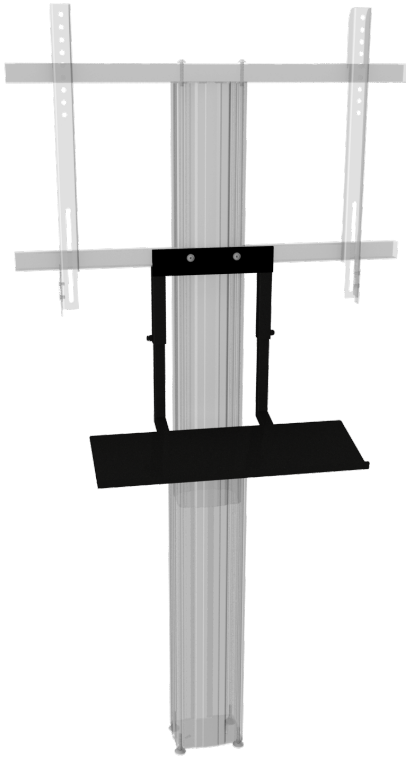


## KEYBOARD SHELF FOR CCELW-AF AND SCETAVLI SERIES

FOR MOUNTING TO DISPLAY BRACKET



### PRODUCT

Practical keyboard tray for attachment to the display mount CCELW-AF or SCETAVLI. This shelf for keyboards is black and ships including mounting hardware.

### FEATURES

- › Keyboard-shelf for mounting to the display mount
- › Dimension: W/D: 600 x 200 mm
- › Powder-coated steel, 2 mm, black (RAL 9005)
- › Tube 30 x 30 mm / 25 x 25 mm
- › Includes mounting accessories (2x Allen head lens screws)

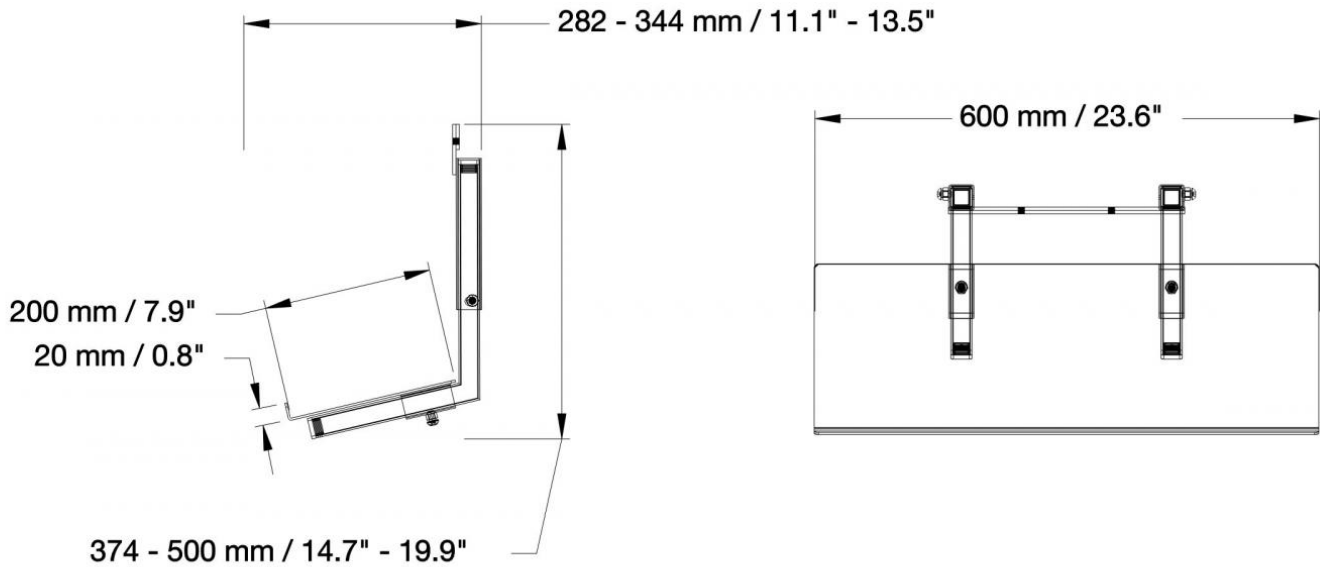


Display mount

Item number	AFSCETAKBLI	
Width / Height / Depth	600 mm / 374 mm - 500 mm / 344 mm	23.6" / 14.7" - 19.7" / 13.5"
Weight	4,4 kg	9.7 lbs
Packages	Package dimensions WxHxD	Package weight
AFSCETAKBLI	630 x 110 x 260 mm / 24.8 x 4.3 x 10.2"	5 kg / 11 lbs

DIMENSIONS

in mm / inch



MANUFACTURER:

CONEN Produkte GmbH  
 Conenstr. 4  
 54497 Morbach-Gonzerath

Phone: +49 (0) 6533 75-100  
 Fax: +49 (0) 6533 75-600  
 E-Mail: info@conenmounts.com

Germany

[www.conenmounts.com](http://www.conenmounts.com)