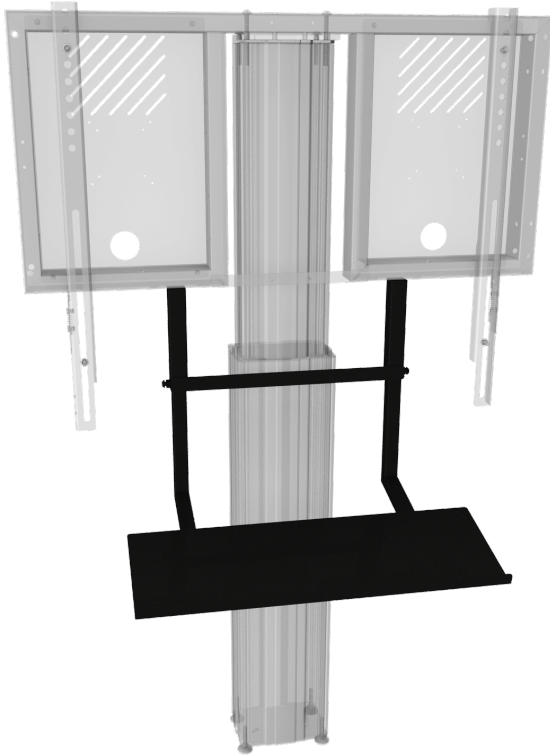


KEYBOARD SHELF FOR LITE SERIES

ADAPTS TO DISPLAY MOUNT



PRODUCT

Practical keyboard tray for attachment to the display mount. This shelf for keyboards is black and ships including mounting hardware.

FEATURES

- Keyboard-shelf for mounting to the display mount of LITE series (RLI...)
- Dimension: W/D: 600 x 200 mm
- Powder-coated steel, 2 mm, black (RAL 9005)
- Tube 30 x 30 mm / 25 x 25 mm
- Includes mounting accessories (2x Allen head lens screws)



Display mount

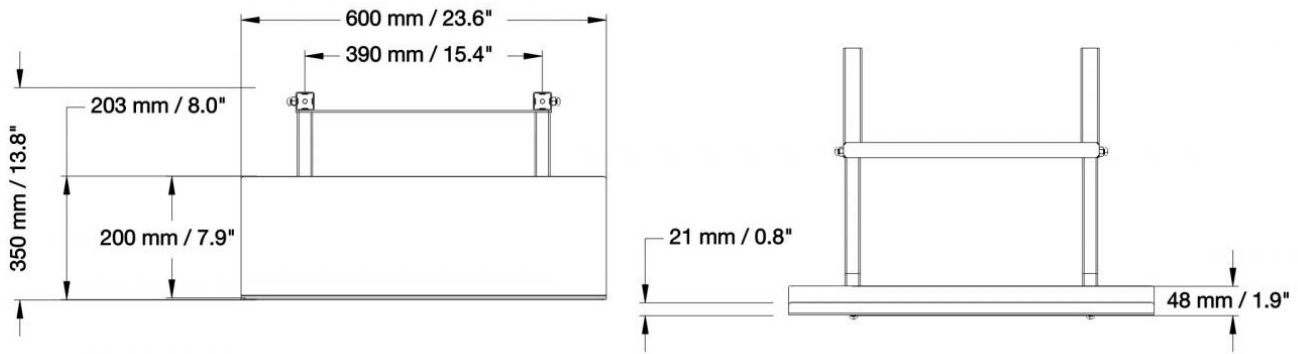


Max. load
3 kg / 5.5 lbs

Item number	AFSCETAKBR	
Load capacity	2,5 kg	5.5 lbs
Width / Height / Depth	600 mm / 48 mm / 350 mm	23.6" / 1.9" / 13.8"
Weight	4,4 kg	9.7 lbs
Packages	Package dimensions WxHxD	Package weight
AFSCETAKBR	670 x 90 x 280 mm / 26.4 x 3.5 x 11"	5 kg / 11 lbs

DIMENSIONS

in mm / inch



MANUFACTURER:

CONEN Produkte GmbH
 Conenstr. 4
 54497 Morbach-Gonzerath

Phone: +49 (0) 6533 75-100
 Fax: +49 (0) 6533 75-600
 E-Mail: info@conenmounts.com

Germany

www.conenmounts.com