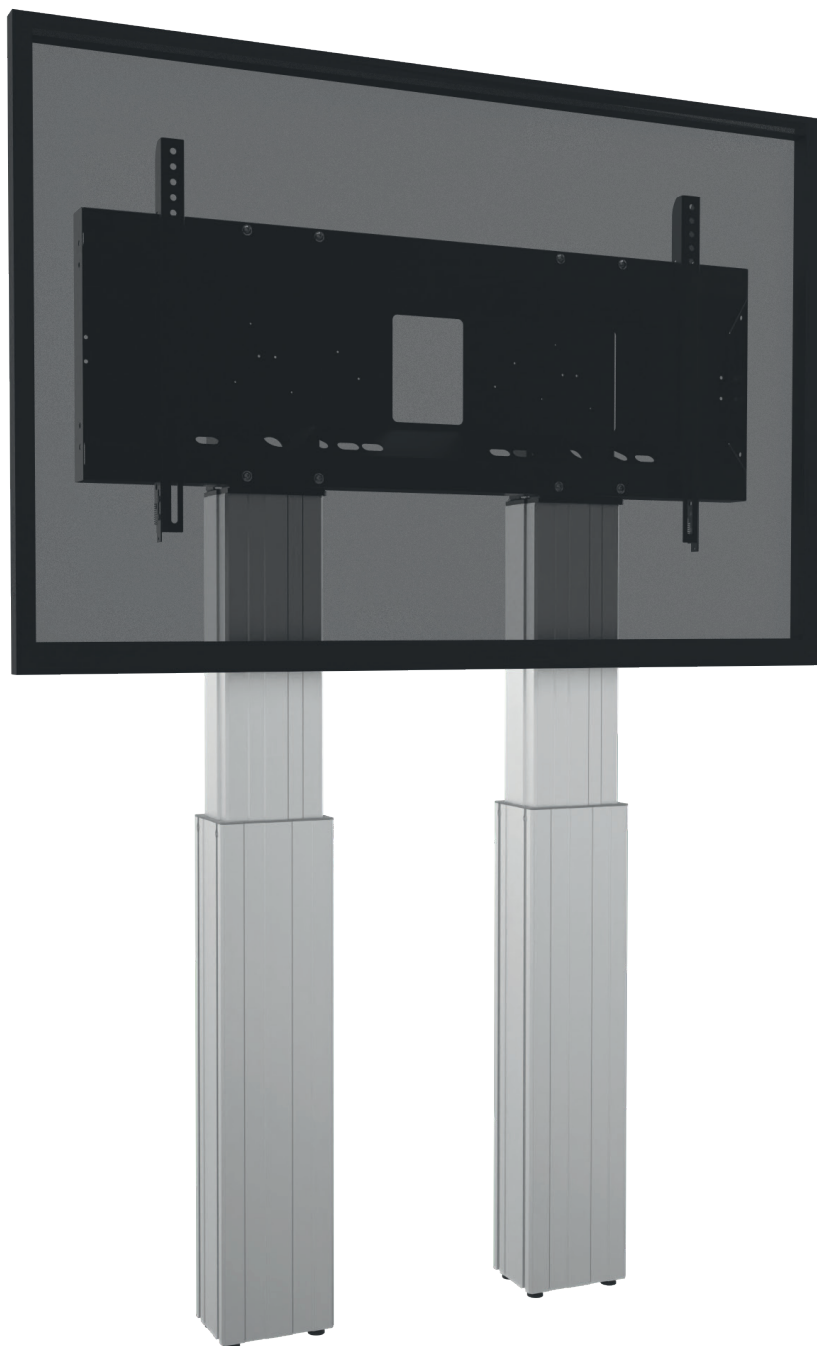
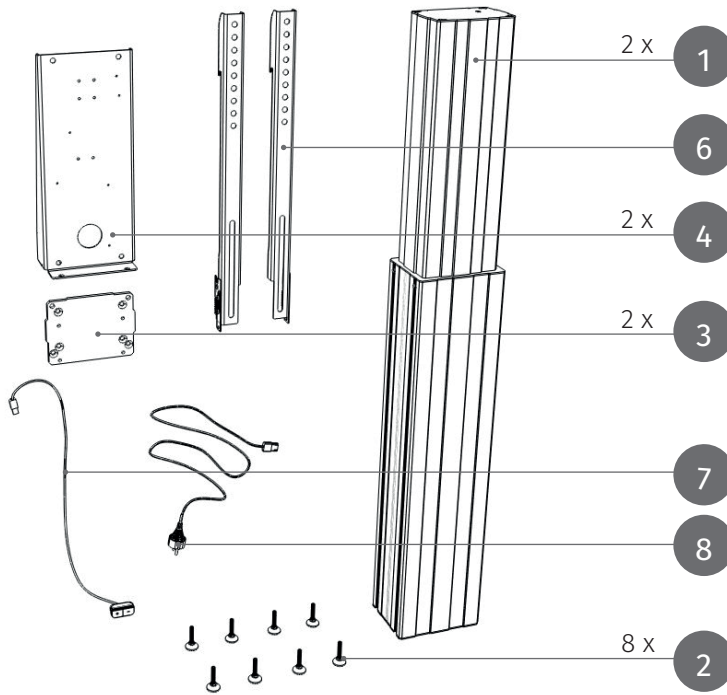
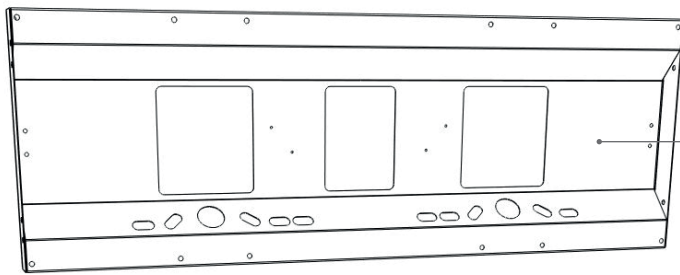


## Adjustable mobile stand for 70 – 120" display



# PACKAGE CONTENTS



- 1 Center column
- 2 Adjustable feet
- 3 Adapterplate
- 4 Adapter
- 5 Display holder
- 6 Hook arms
- 7 Remote control
- 8 Power cable



A

4 x M8 x 40  
Countersunk



B

4 x M8 x 40  
Lenshead Allen  
screw with flange



C

8 x M8 x 10  
Lenshead Allen  
screw with flange



D

8 x M8 x 75  
Lenshead Allen  
screw with flange



E

8 x M8  
self-locking nut

Depending on the display



F

4 x M8 x 16  
Lenshead Allen screw with flange



F

4 x M6 x 16  
Lenshead Allen screw with flange



G

1 x  
Adhesive strip



H

6 x  
Cable clamp



I

4 x  
Sliding block



J

4 x M8  
Self-locking nut

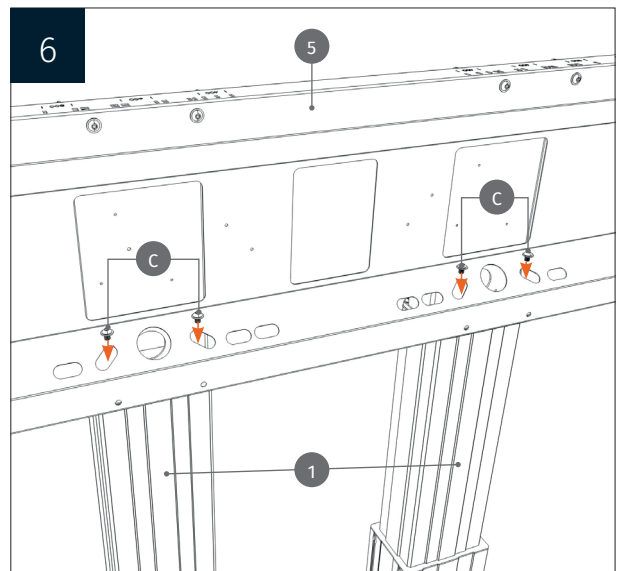
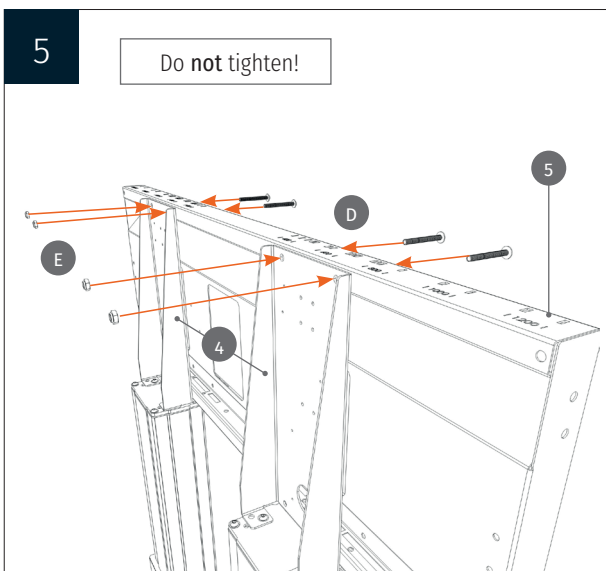
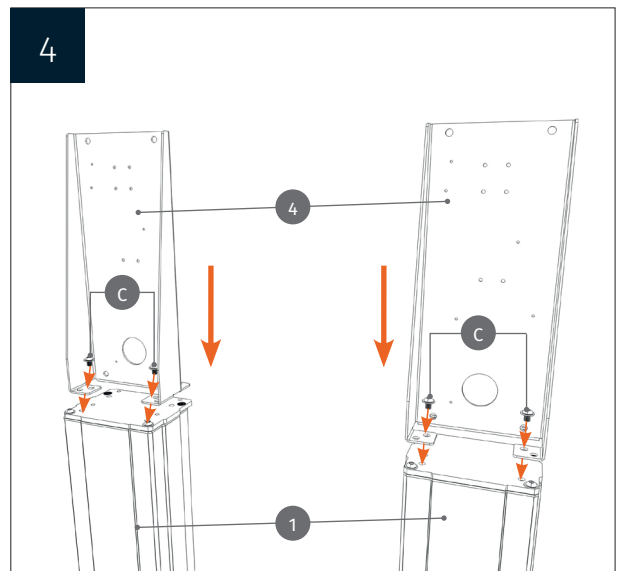
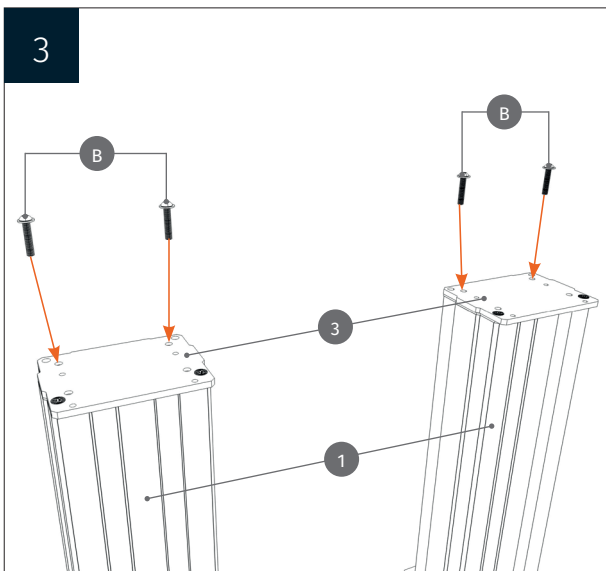
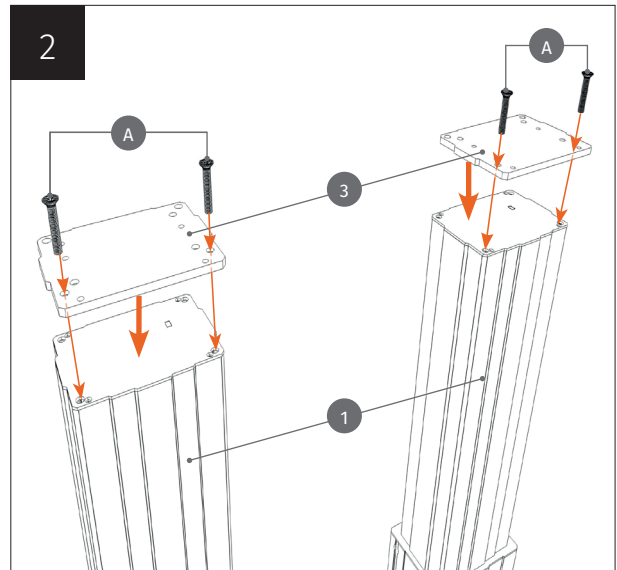
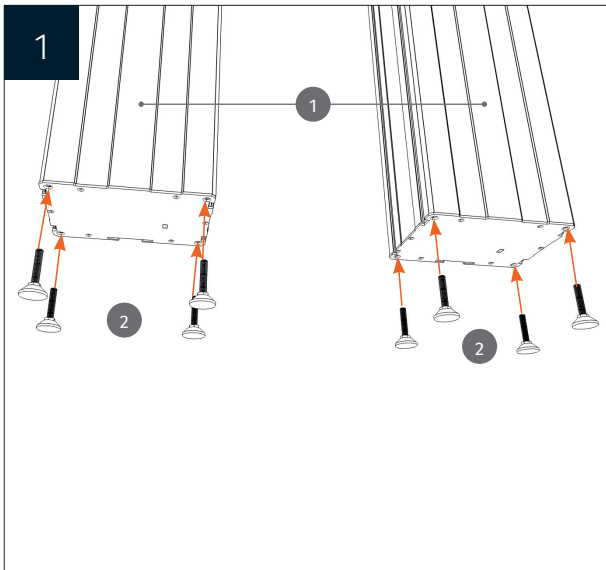


K

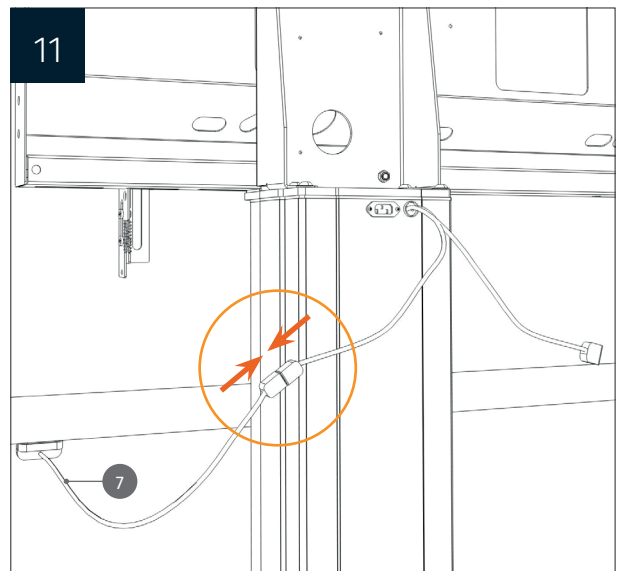
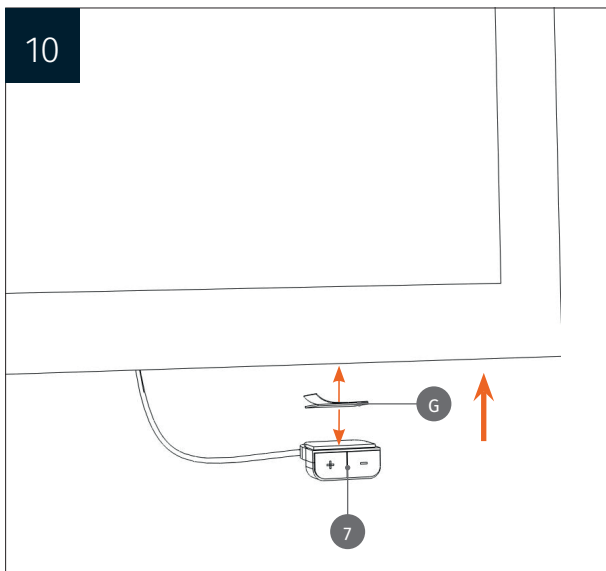
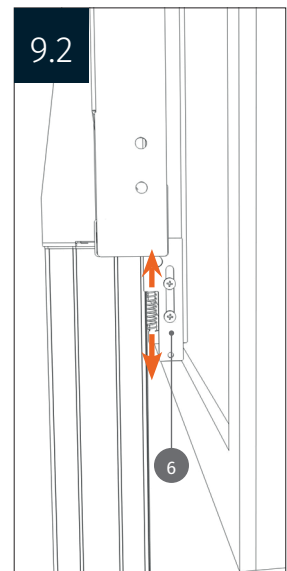
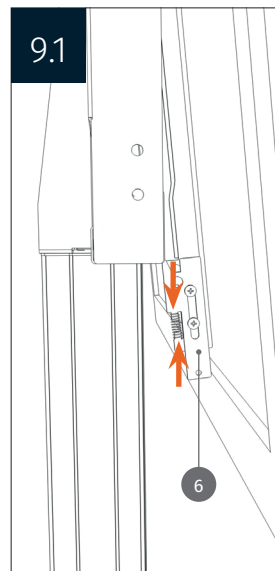
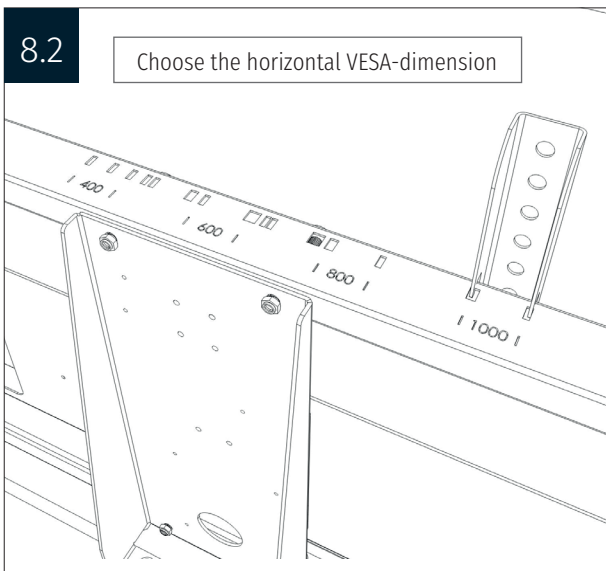
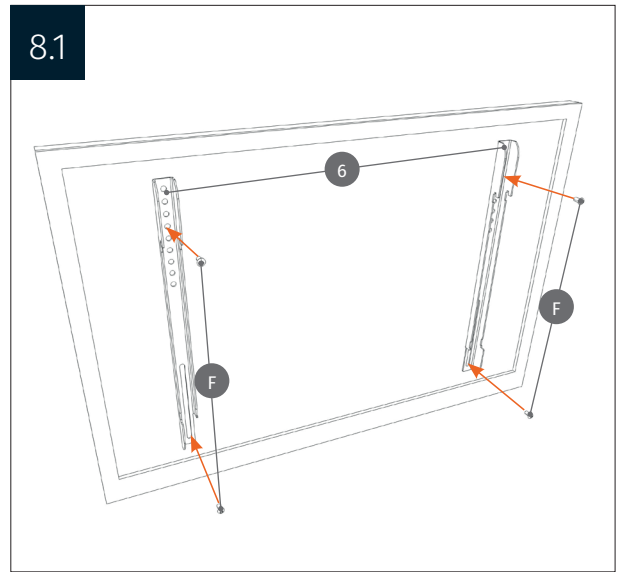
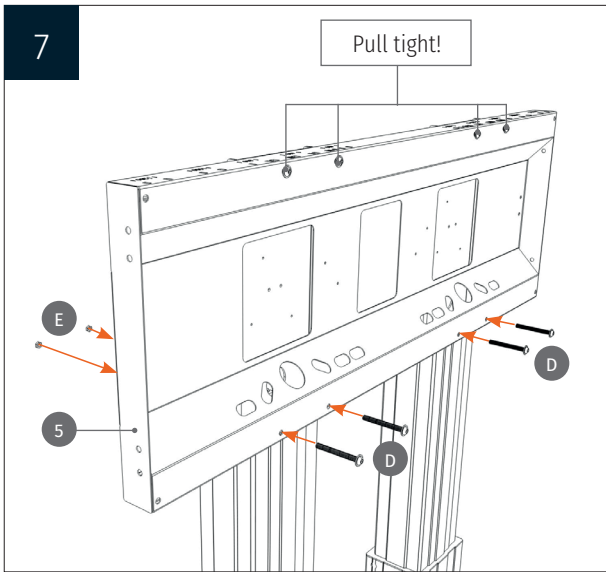
4 x  
Z-Bracket

For wall mounting

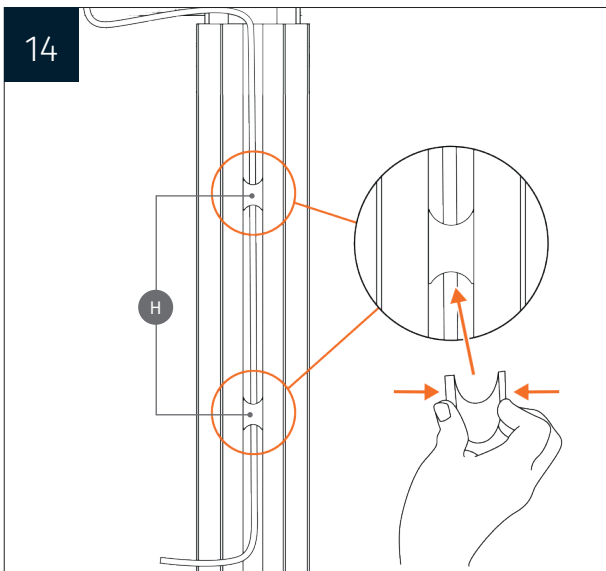
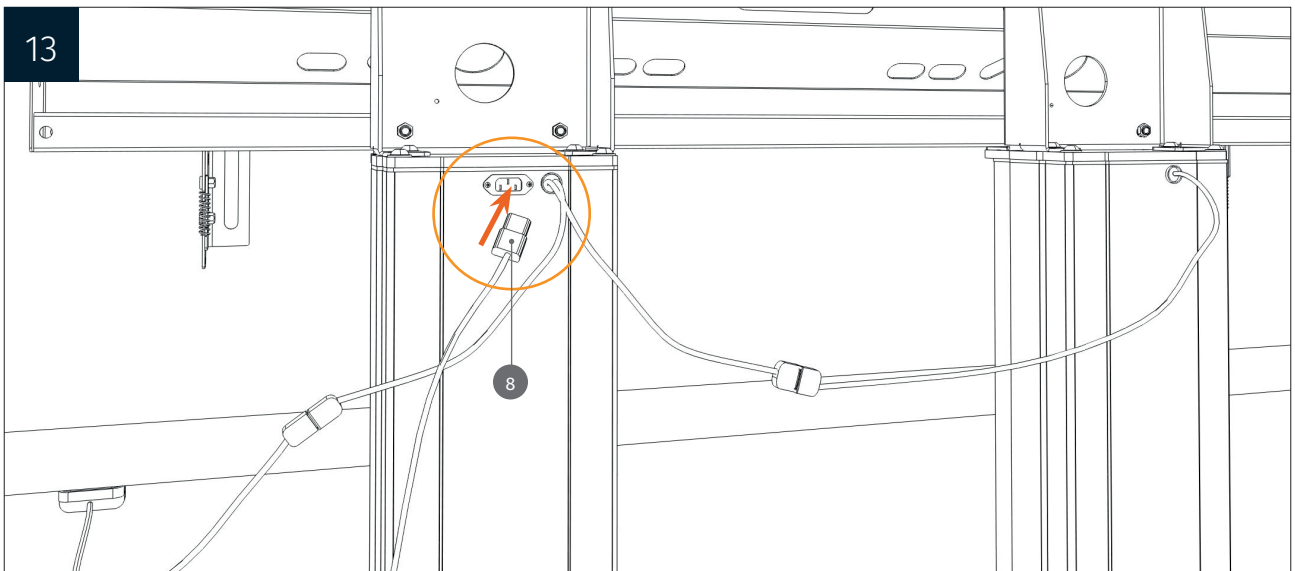
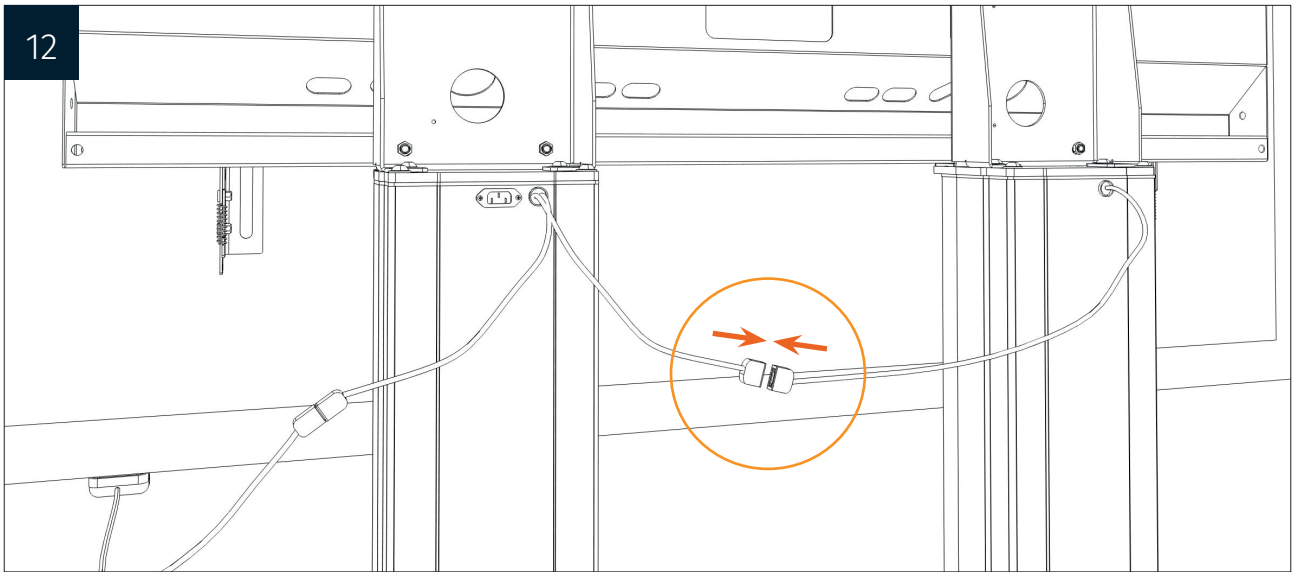
# MOUNTING INSTRUCTIONS



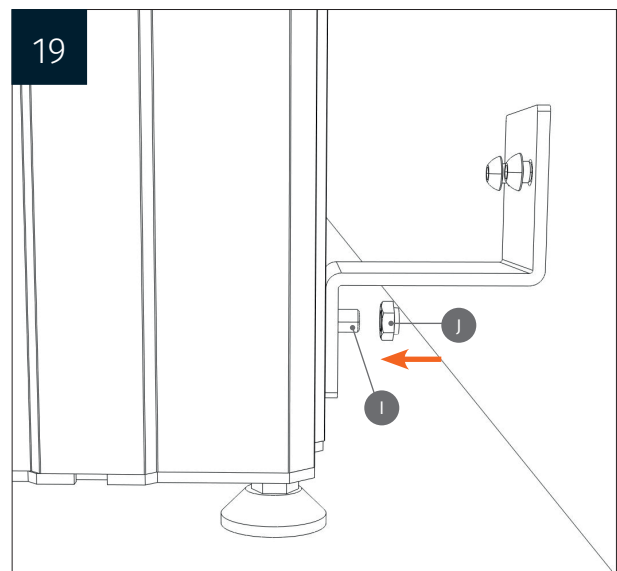
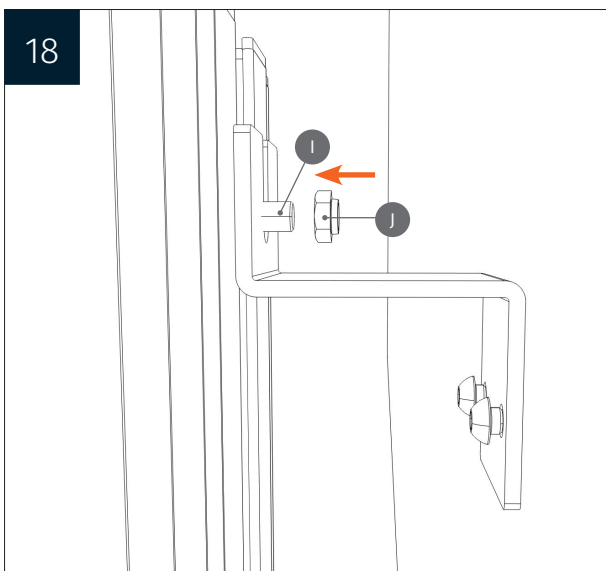
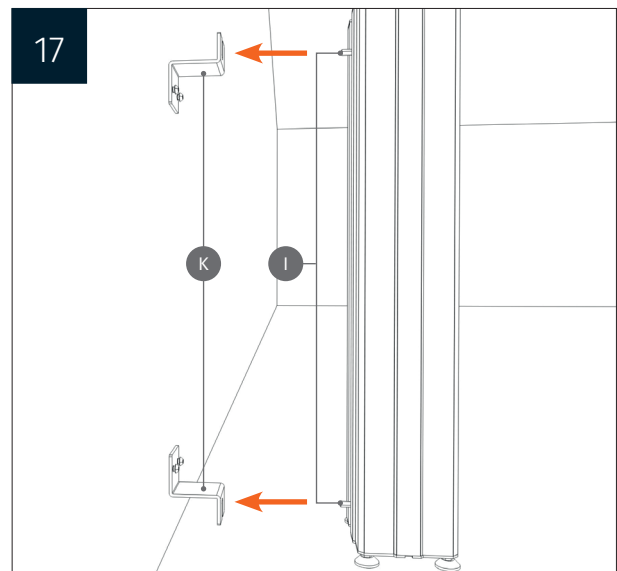
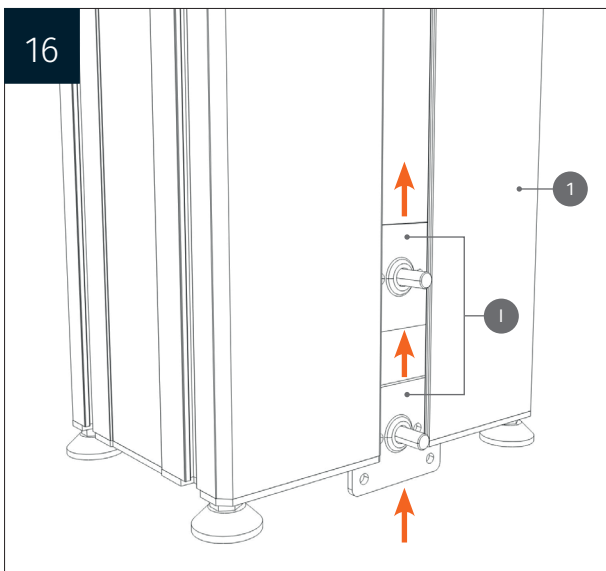
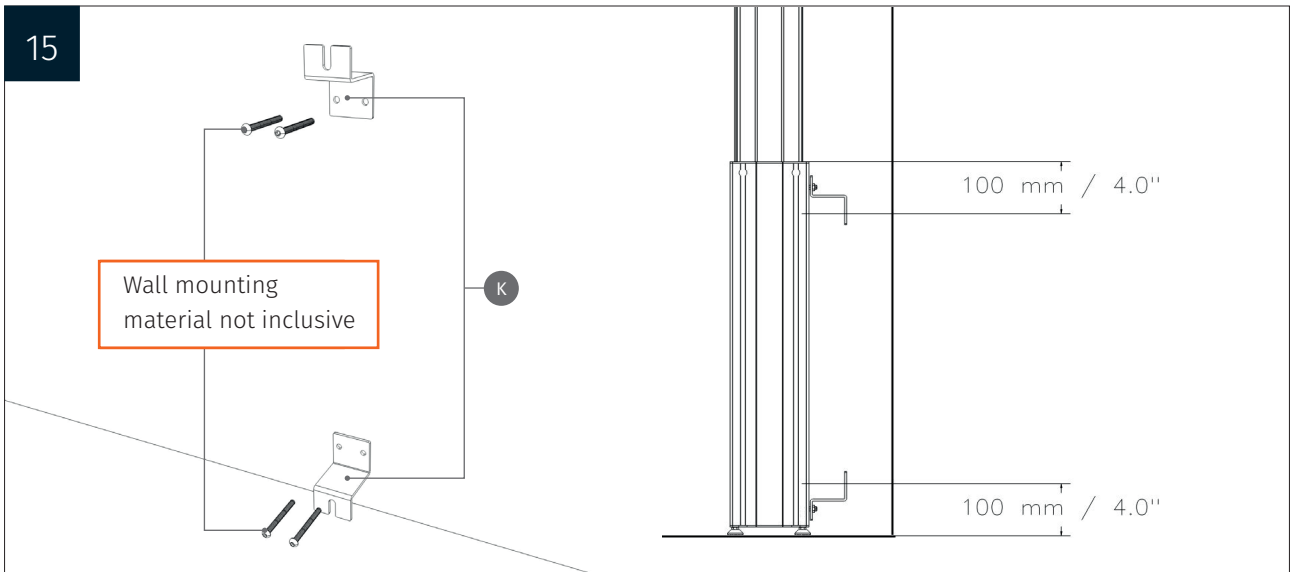
# MOUNTING INSTRUCTIONS



# MOUNTING INSTRUCTIONS



# MOUNTING INSTRUCTIONS



## MOUNTING INSTRUCTIONS

