

FLOOR PLATE FOR DISPLAY MOUNTS LITE SERIE (CCELW-AF + RLI...)

BLACK



PRODUCT

With the 8 mm PSTSCETABLI floor plate for LITE serie (CCELW-AF + RLI...) display wall mounts, you can either mount our display stands firmly on the floor in addition to mounting on the wall to give the system extra support, or place the system free-standing in the room.

Handles in the floor plate make for easy handling. The plate is powder coated in black

FEATURES

- › Floor plate for dry wall mounting
- › Floor plate for making it a free-standing system
- › Steel, in a thickness of 8mm
- › Color: RAL 9005 deep black
- › Dimensions, W / D: 73 x 53 cm
- › Maximum load: 136 kg

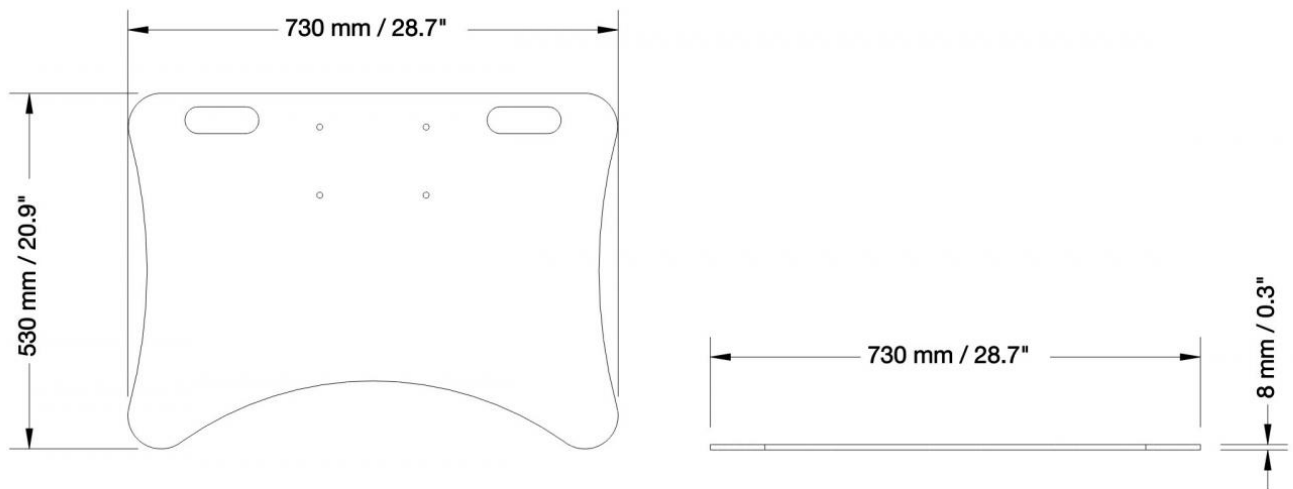


Display mount

Item number	PSTSCETABLI	
Width / Height / Depth	730 mm / 8 mm / 530 mm	28.7" / 0.3" / 20.9"
Weight	21 kg	46,3 lbs
Packages	Package dimensions WxHxD	Package weight
PSTSCETABLI	750 x 20 x 600 mm / 29,5 x 0,8 x 23,6"	21,8 kg / 48,1 lbs

DIMENSIONS

in mm / inch



MANUFACTURER:

CONEN Produkte GmbH
 Conenstr. 4
 54497 Morbach-Gonzerath

Phone: +49 (0) 6533 75-100
 Fax: +49 (0) 6533 75-600
 E-Mail: info@conenmounts.com

Germany

www.conenmounts.com