



SCETANHW

FIXED HEIGHT WALLMOUNTING SYSTEM

Factory:

Conen Produkte GmbH & Co. KG
Conenstr. 4
54497 Morbach-Gonzerath
Germany

International sales department:

Mr. Luc van der Sterren
Office: +49 65 33 75 311
Cell: +31 612 495 098
Email: Luc@conenmounts.com

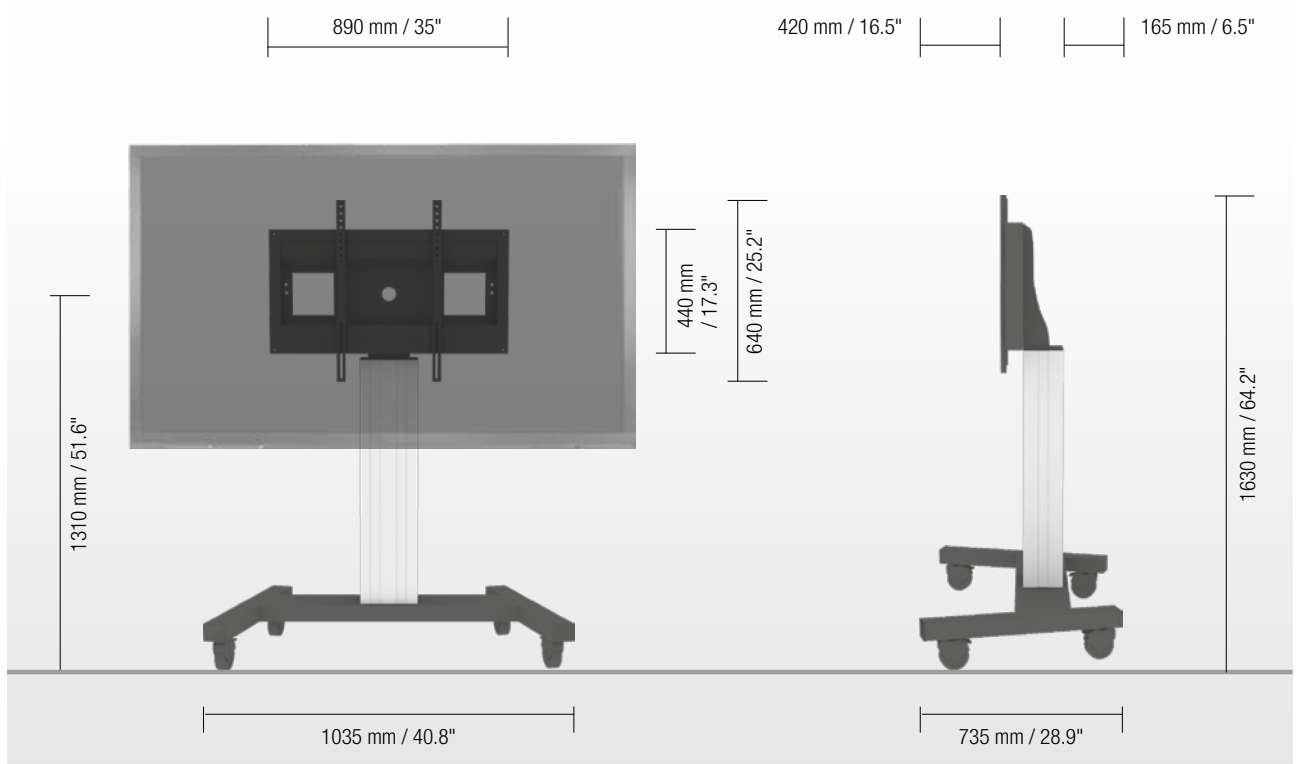
Mr. Arnaud Gielen
Office: +49 6533 75 310
Cell: +49 172 655 84 61
Email: Arnaud@conenmounts.com



PRODUCT FEATURES

- ◆ Column, natural anodized
- ◆ Column height: 930 mm / 36.6"
- ◆ V-shaped mobile stand with four heavy duty castors – two with brakes, RAL 7021 black grey
- ◆ Display mount for use with 42" – 100"
- ◆ VESA 400 x 200 up to 800 x 600
- ◆ Maximum load approximately 150 kg / 330.7 lbs

DIMENSIONS



DETAIL VIEWS

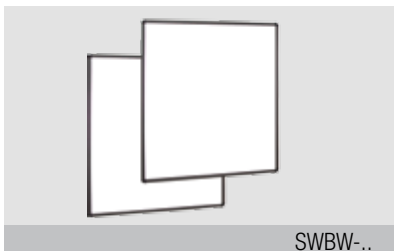


Pull & release locking brackets for easier mounting of display



Smooth running & lockable castors

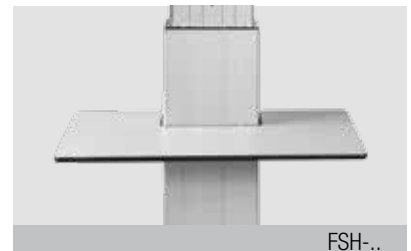
AVAILABLE ACCESSORIES



2 whiteboard side wings



Side shelf



Front shelf



Lockable mini PC bracket



Keyboard shelf



2 Handles



Lockable notebook cabinet



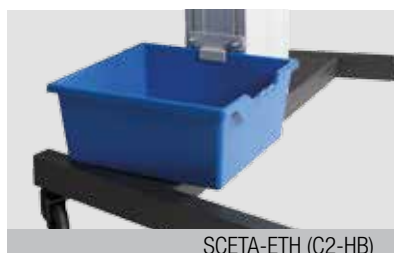
Video conference camera top shelf



Extender (200 mm / 7.9")



Lockable wall bracket

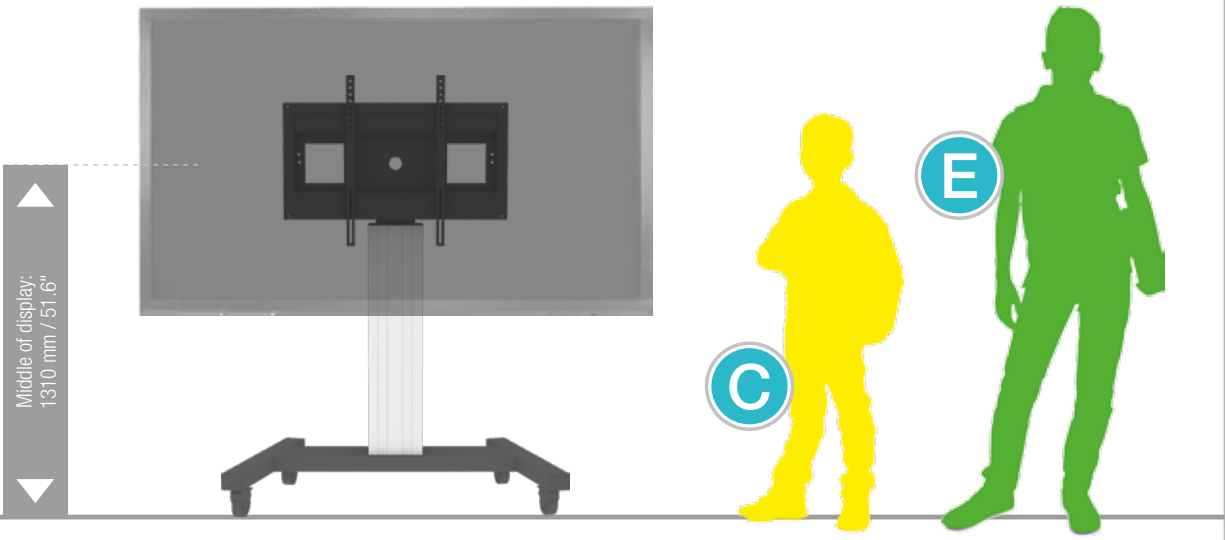


2 box holders (boxes on request)



Display securing padlock

SIZE INDEX



Department	Kindergarten			Primary school		Secondary school		Adults
Silhouette	A	B	C	D	E	F	G	
Age (years)	2 – 3	3 – 4	4 – 7	6 – 11	11 – 14	13 – 16	from 16	
Body size (mm / ")	930 – 980 37 – 38.6	1080 – 1210 42.5 – 47.6	1190 – 1420 46.9 – 56	1330 – 1590 52.4 – 62.6	1460 – 1765 57.5 – 69.5	1590 – 1880 62.6 – 74	1740 – 2070 68.5 – 81.5	
Color	Green	Purple	Yellow	Red	Green	Blue		

PACKING UNITS

Item no.	Description	Packing dimensions (mm / ")	Net weight (kg / lbs)	Gross weight (kg / lbs)
CC-93	Column, column height: 930 mm / 36.6", L = 930 mm / 36.6"	1190 x 270 x 200 / 46.9 x 10.6 x 7.9	13 / 28.7	15 / 33.1
AF-SCETA-N	Display mount	160 x 900 x 450 / 6.3 x 35.4 x 17.7	11,7 / 25.8	13,6 / 30
MST-SCETA-V	V-shaped mobile stand	1140 x 780 x 150 / 44.9 x 30.7 x 5.9	13 / 28.7	16,5 / 36.4
Total weight			37,7 / 83,2	45,1 / 99,5