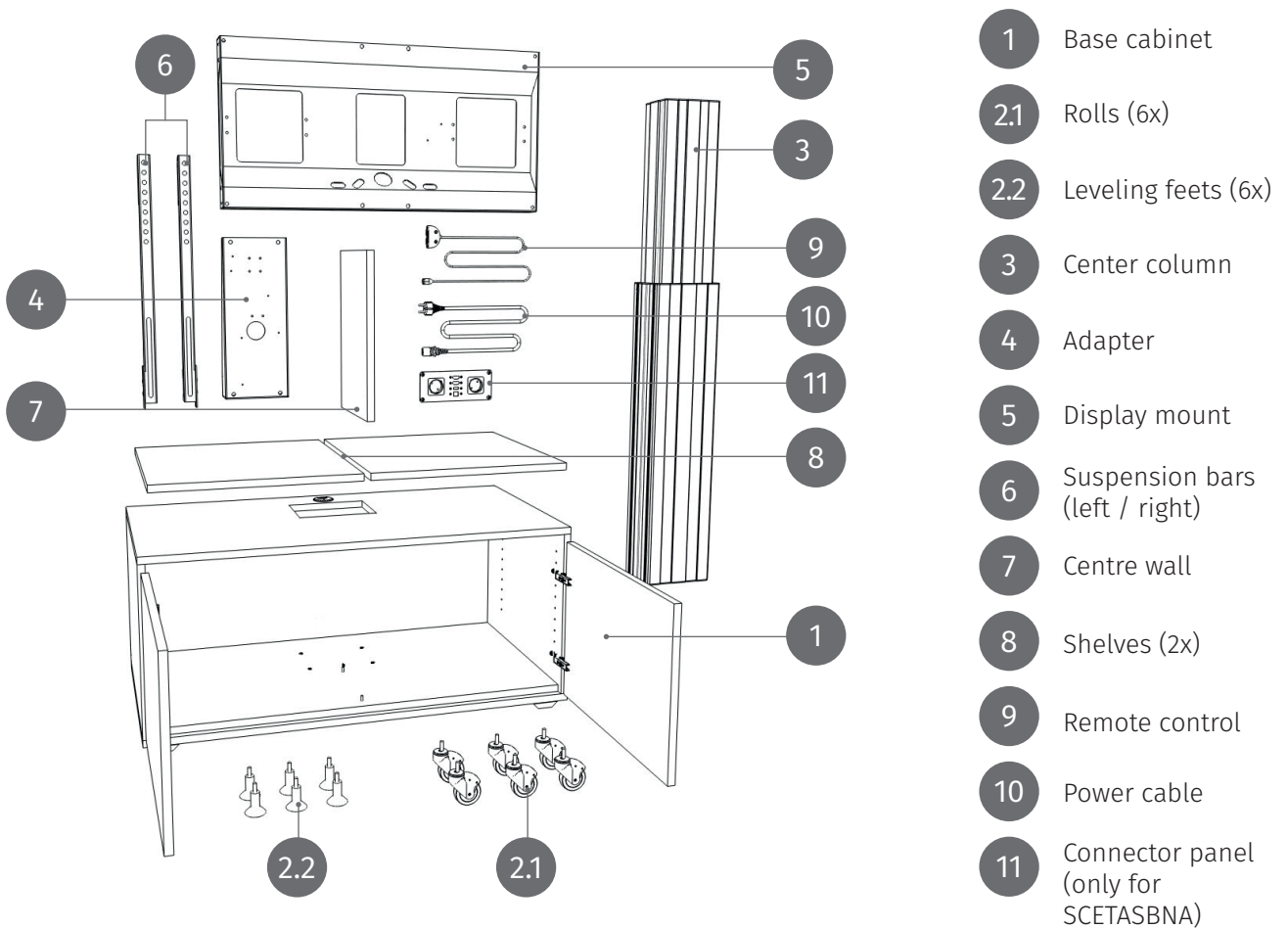


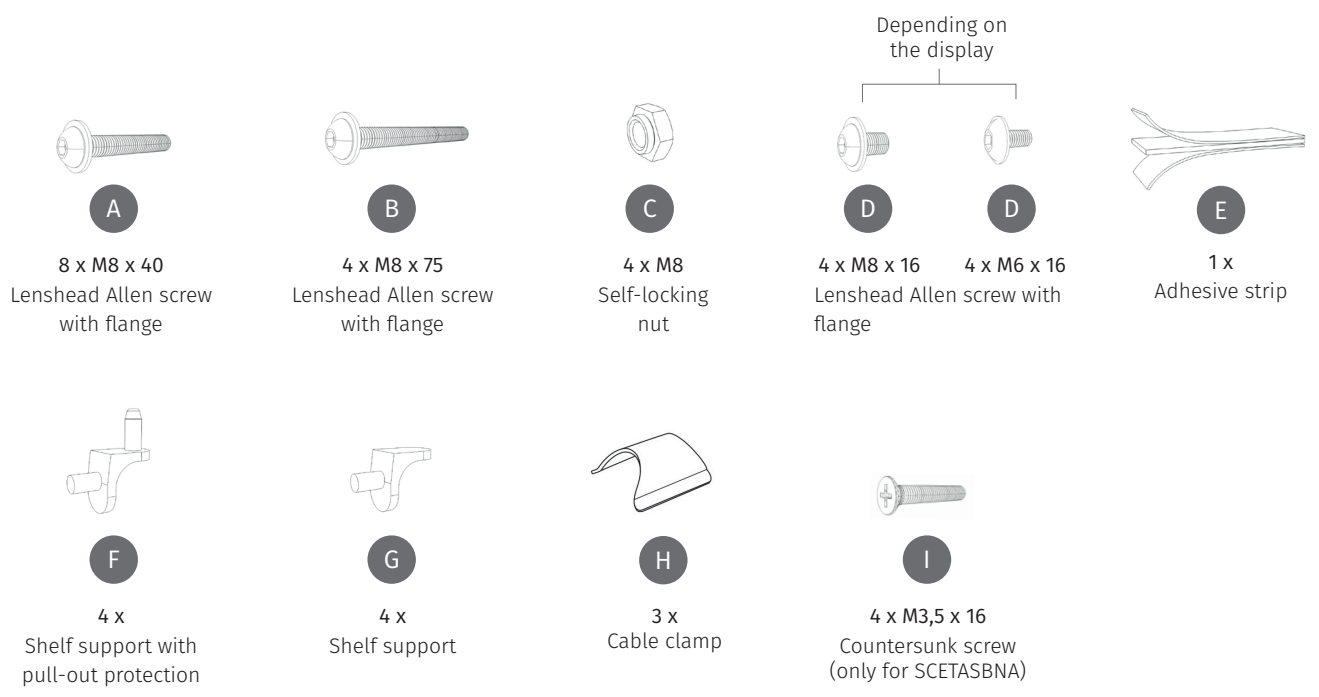
Height-adjustable mounting system with base cabinet



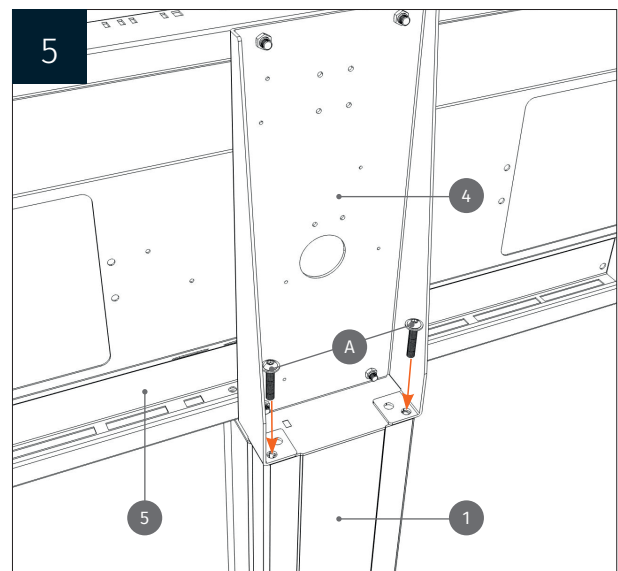
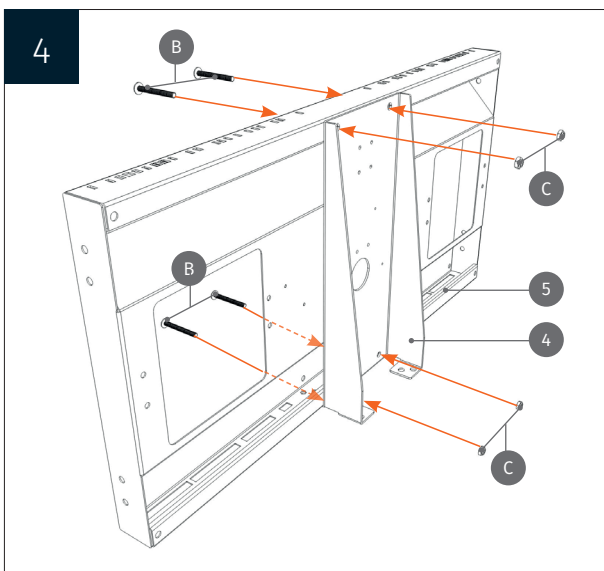
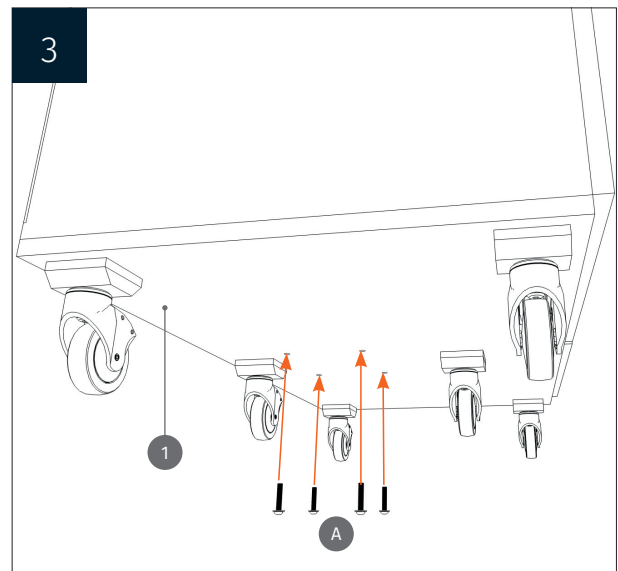
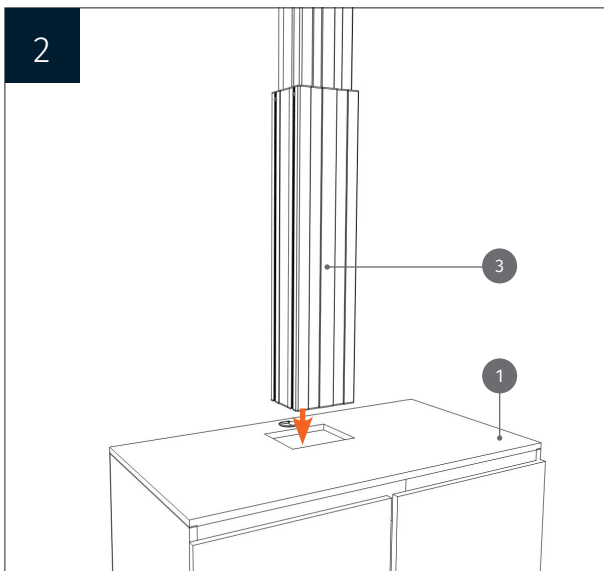
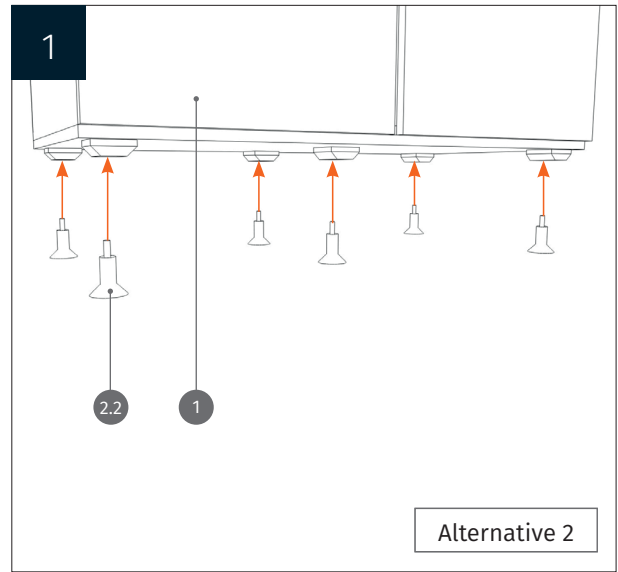
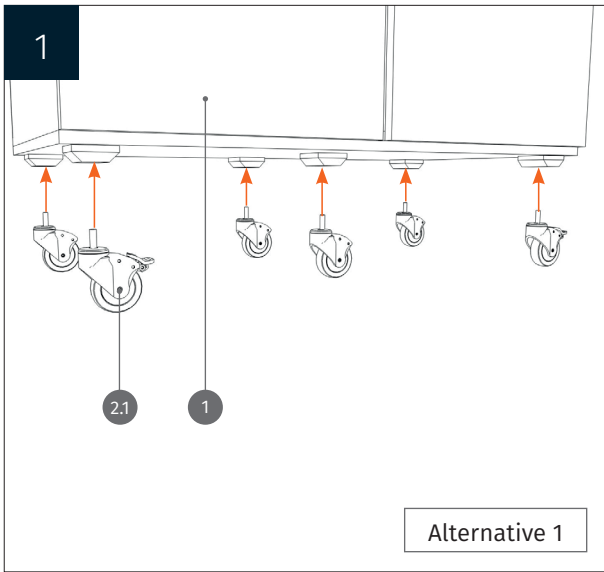
PACKAGE CONTENTS



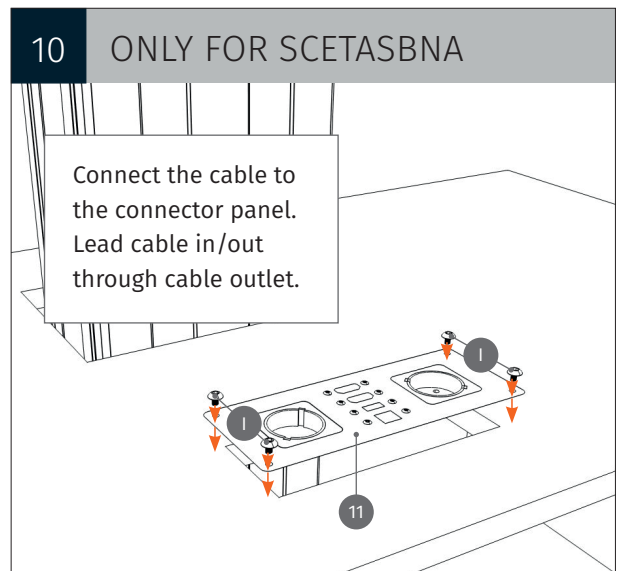
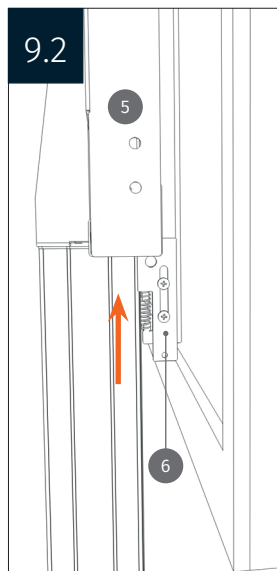
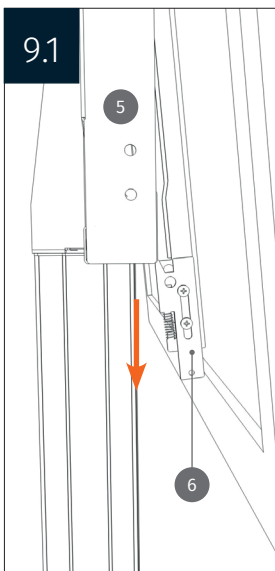
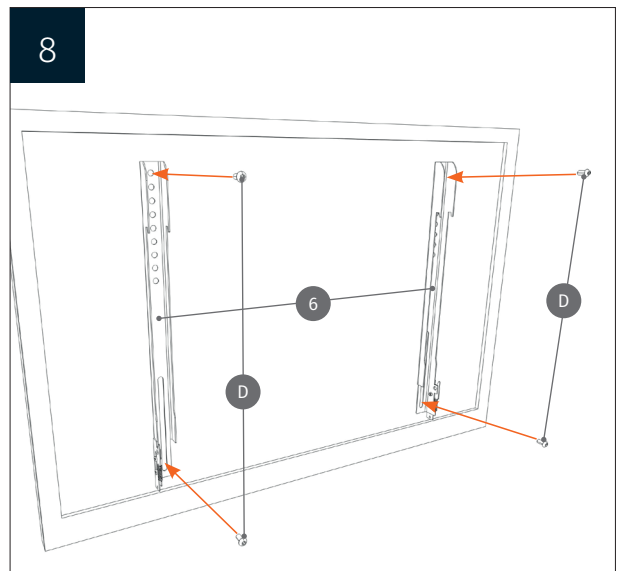
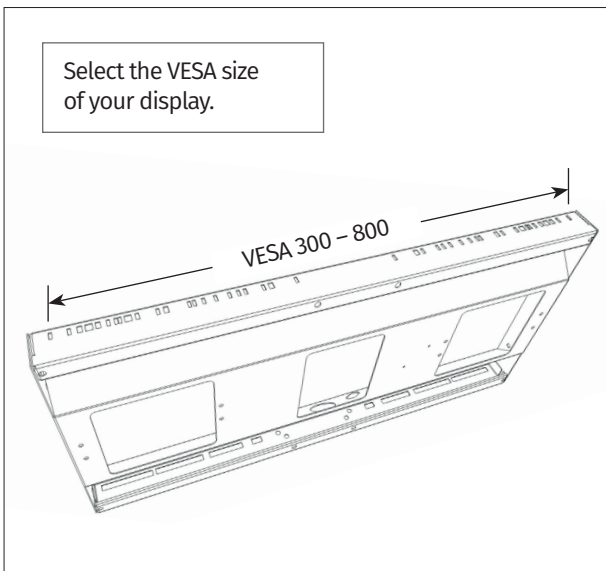
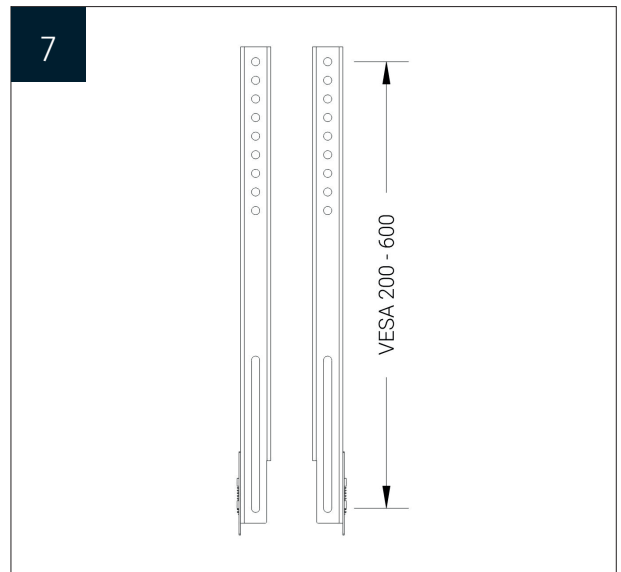
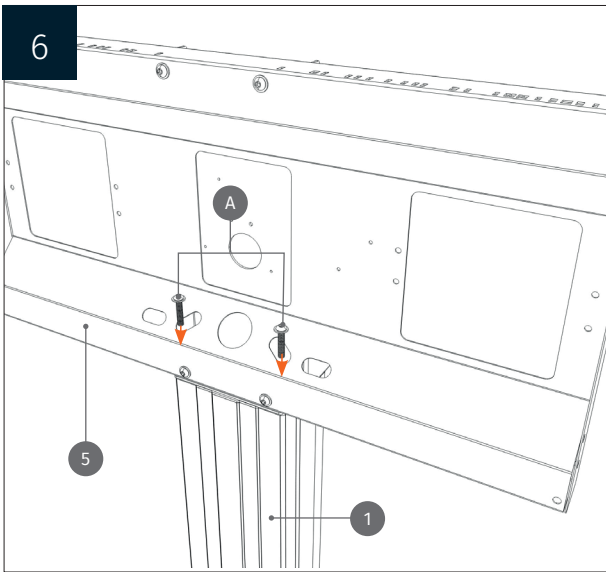
- 1 Base cabinet
- 2.1 Rolls (6x)
- 2.2 Leveling feets (6x)
- 3 Center column
- 4 Adapter
- 5 Display mount
- 6 Suspension bars (left / right)
- 7 Centre wall
- 8 Shelves (2x)
- 9 Remote control
- 10 Power cable
- 11 Connector panel (only for SCETASBNA)



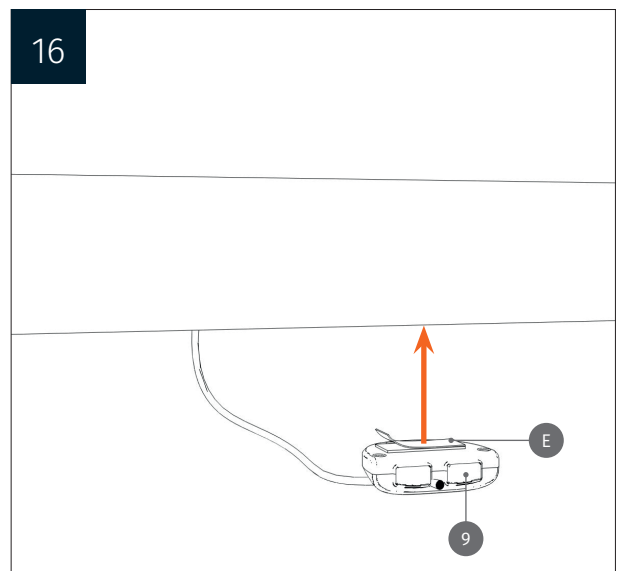
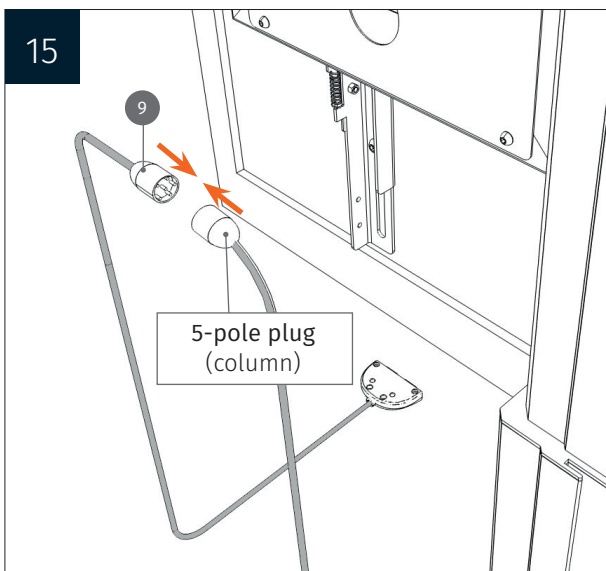
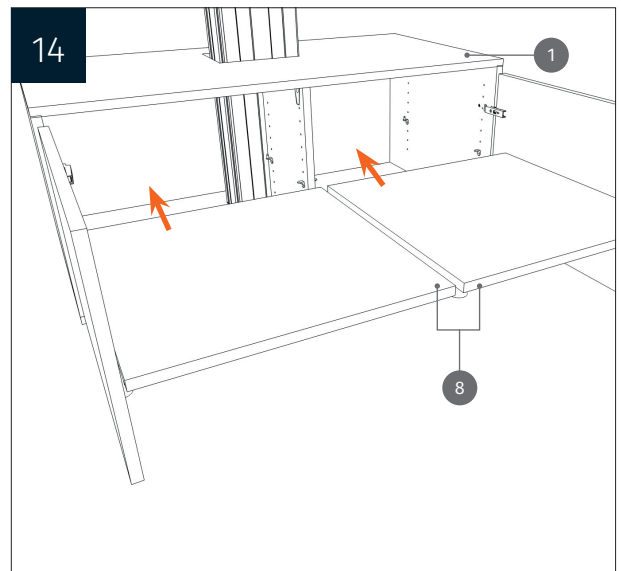
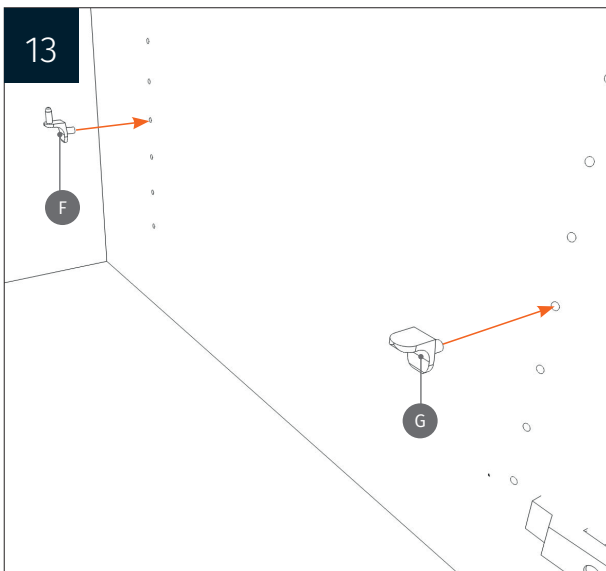
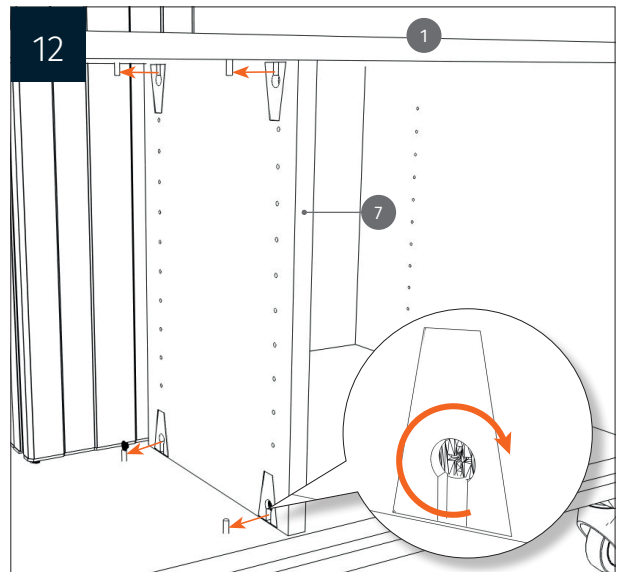
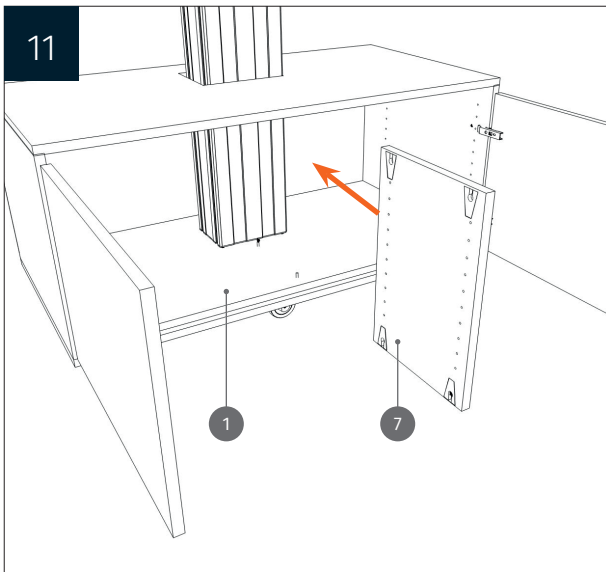
MOUNTING INSTRUCTIONS



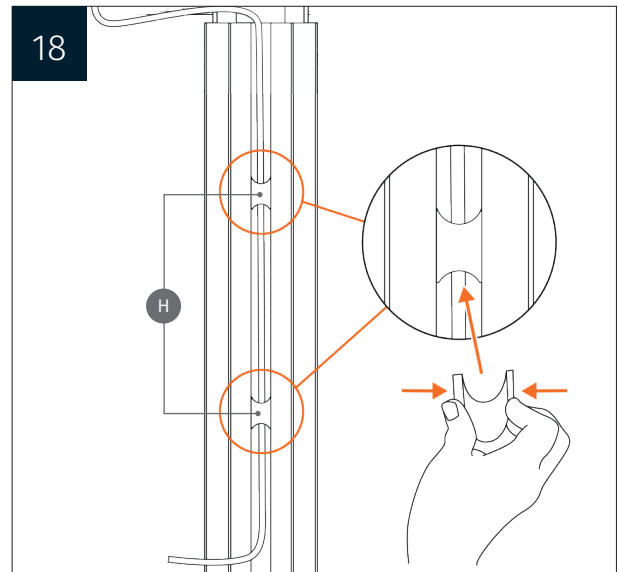
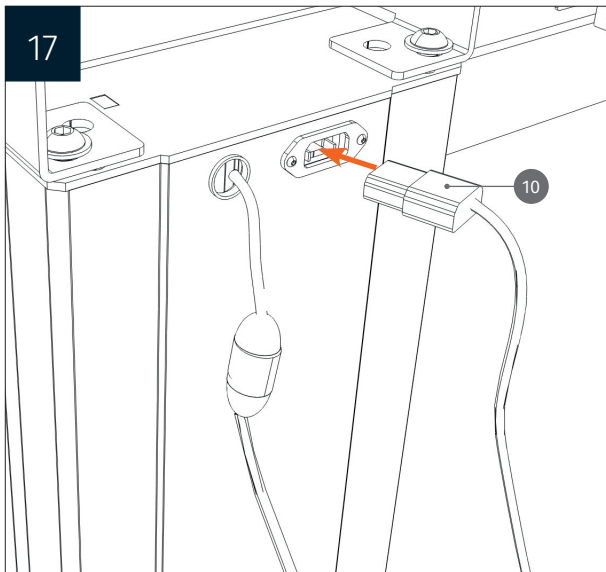
MOUNTING INSTRUCTIONS



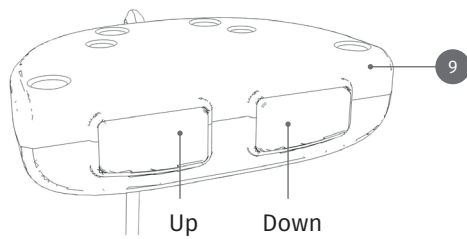
MOUNTING INSTRUCTIONS



MOUNTING INSTRUCTIONS



REMOTE CONTROL



To adjust the height, keep pressed down the button \oplus or \ominus on the control unit.

Relasing the button will immediately stop the movement. In case of emergency, just unhand the control unit (deadman switch).