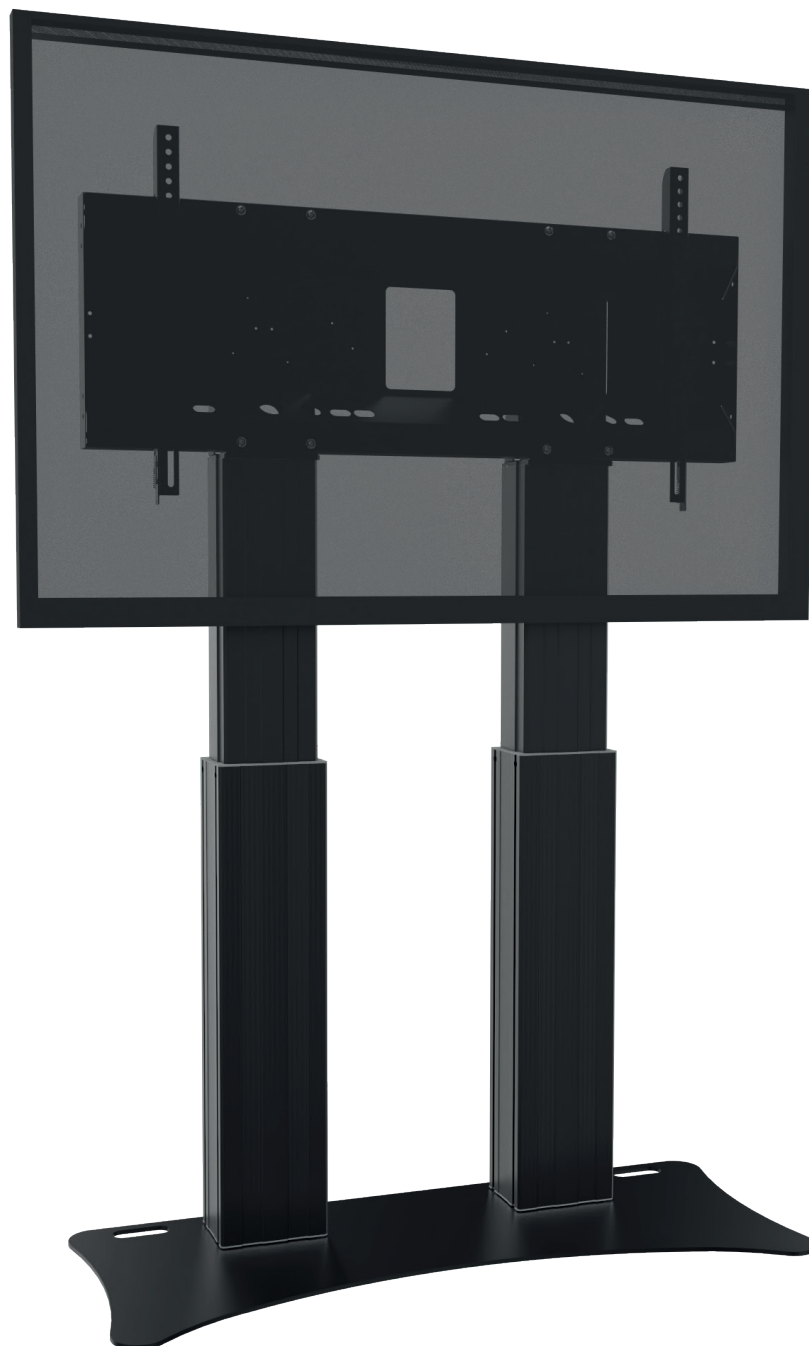
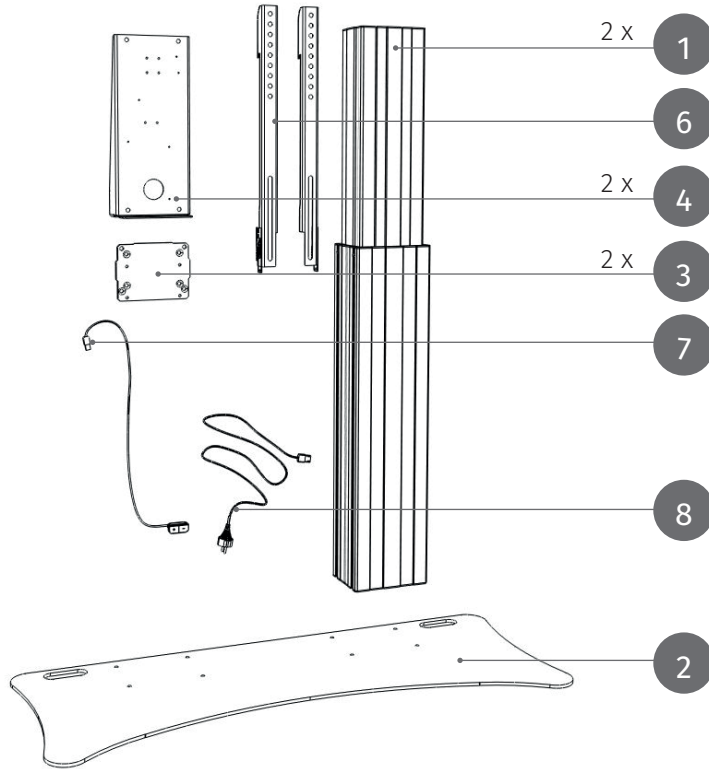
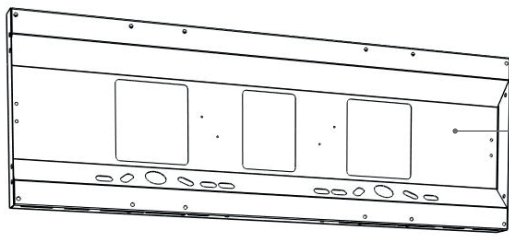


Adjustable mobile stand
for 70 – 120" display



PACKAGE CONTENTS



- 1 Center column
- 2 Base plate
- 3 Adapterplate
- 4 Adapter
- 5 Display holder
- 6 Hook arms
- 7 Remote control
- 8 Power cable



A

12 x M8 x 40
Countersunk



B

4 x M8 x 40
Lenshead Allen
screw with flange



C

8 x M8 x 75
Lenshead Allen
screw with flange



D

8 x M8 x 10
Lenshead Allen
screw with flange



E

8 x M8
self-locking nut

Depending on the display



F

4 x M8 x 16
Lenshead Allen screw with flange



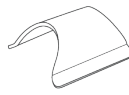
F

4 x M6 x 16
Lenshead Allen screw with flange



G

1 x
Adhesive strip



H

6 x
Cable clamp

For wall mounting



I

4 x
Sliding block



J

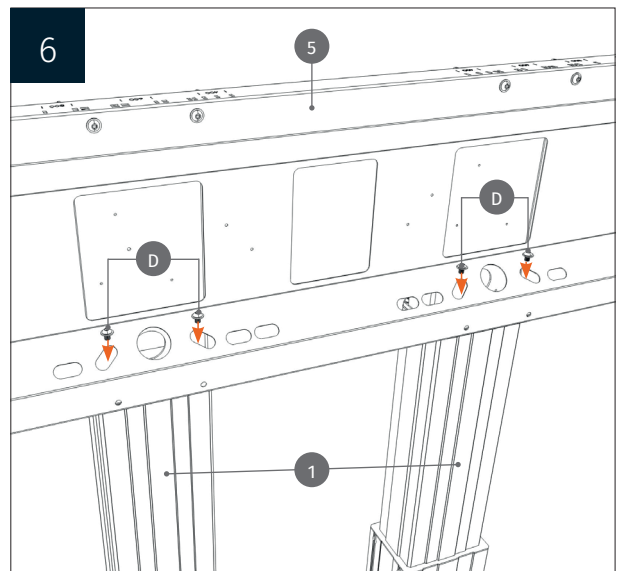
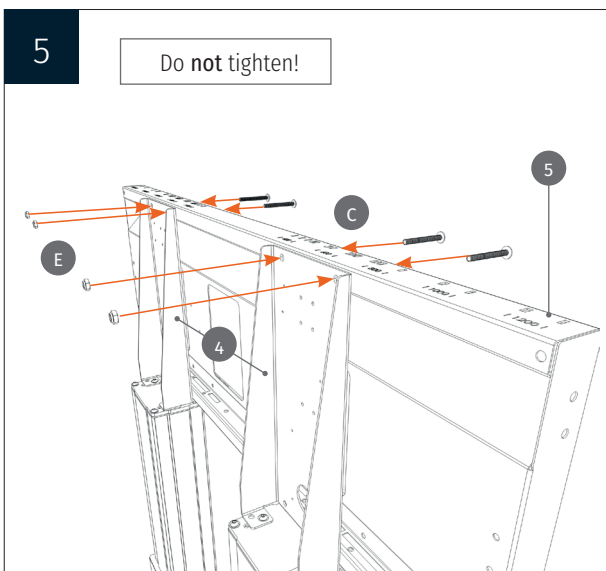
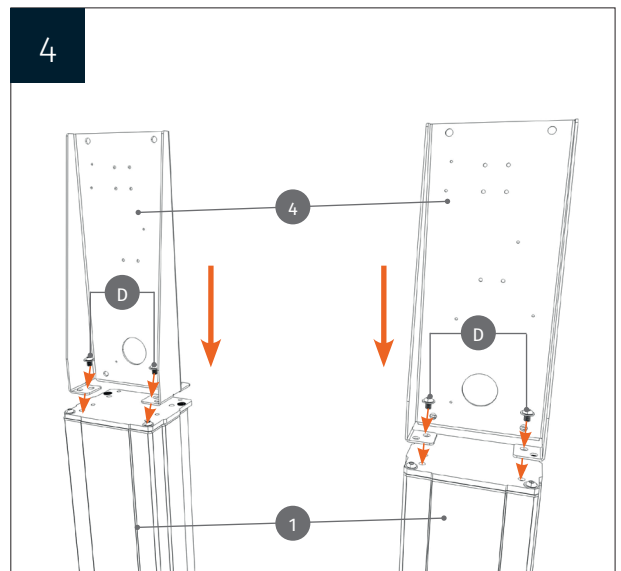
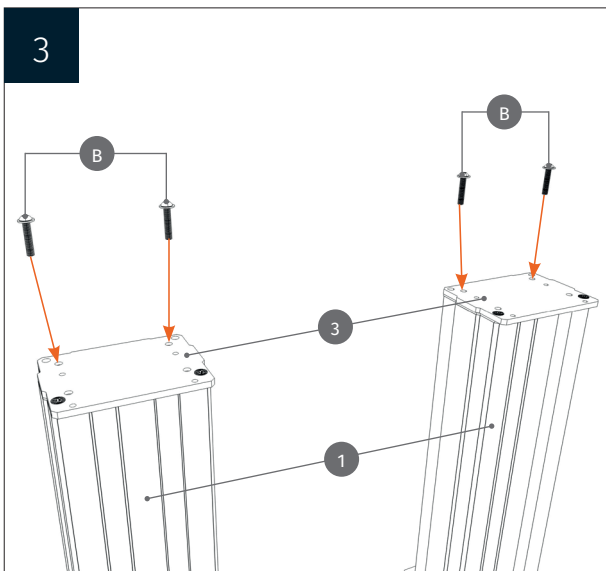
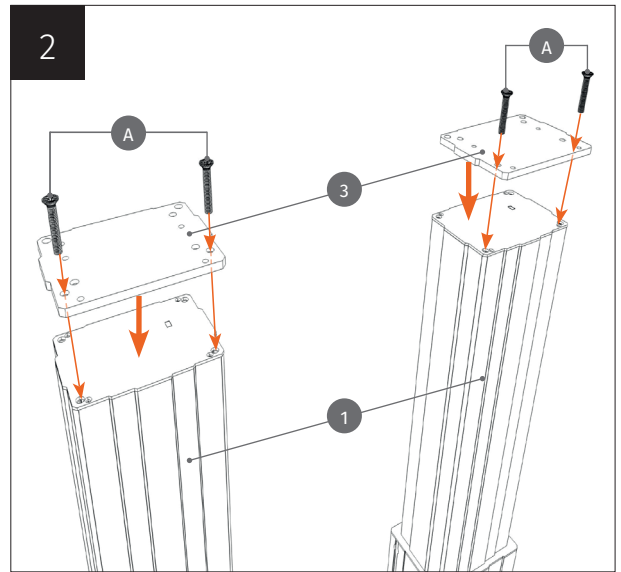
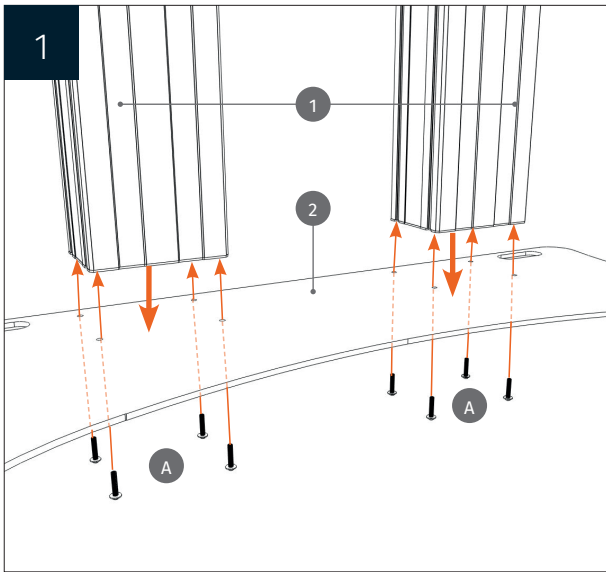
4 x M8
Self-locking nut



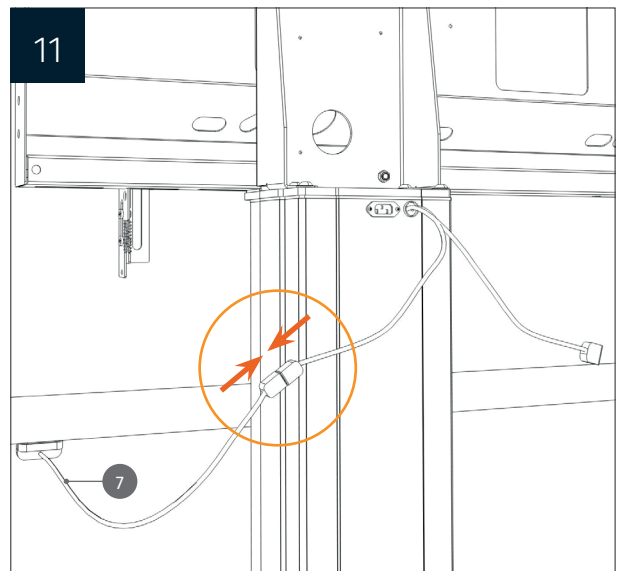
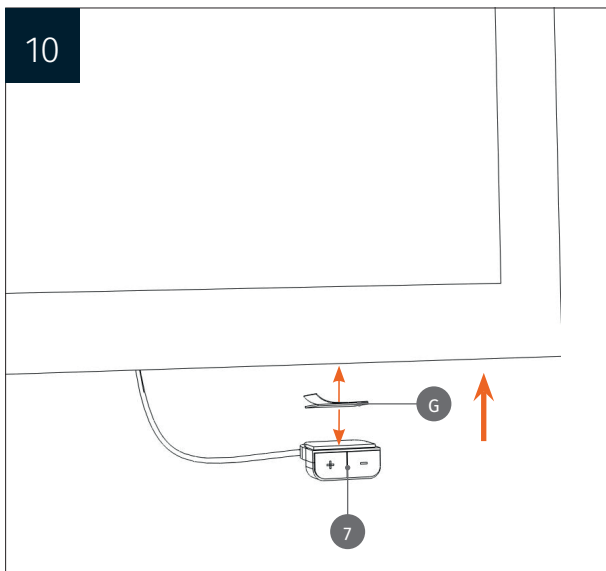
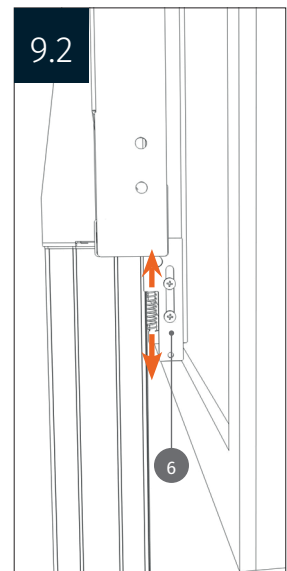
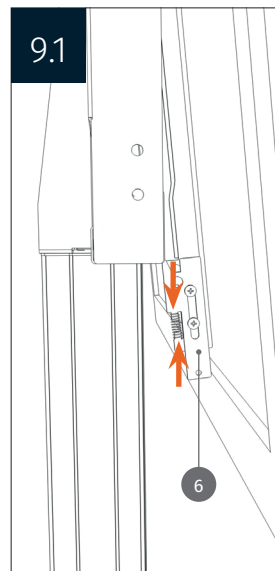
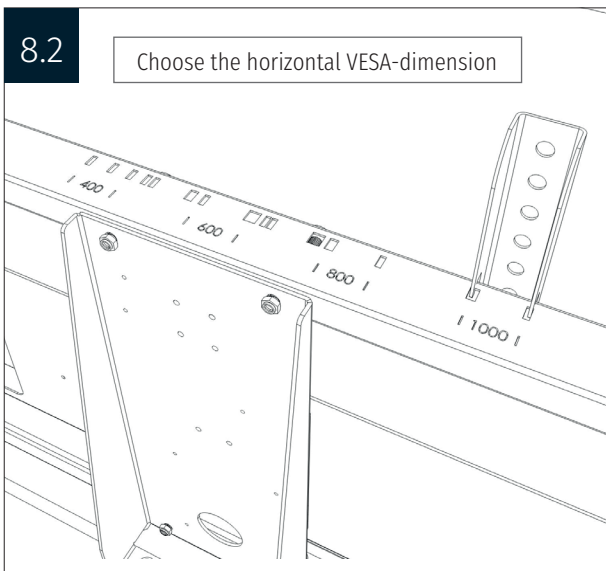
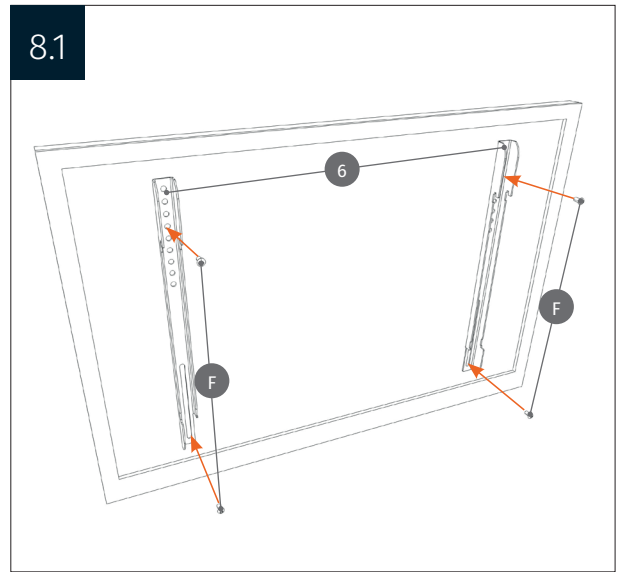
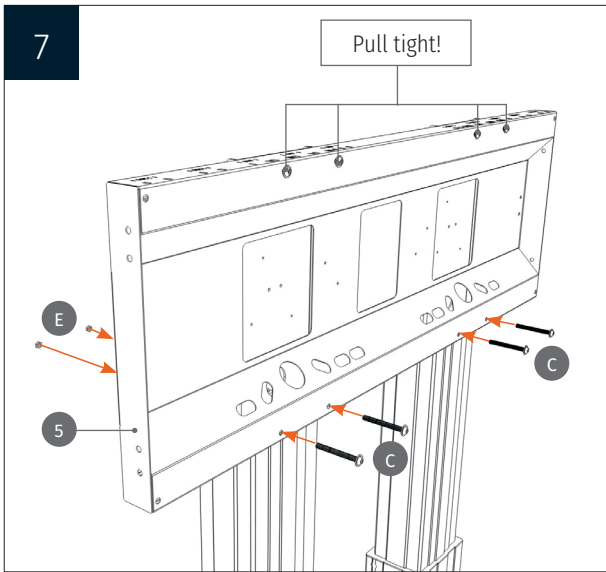
K

4 x
Z-Bracket

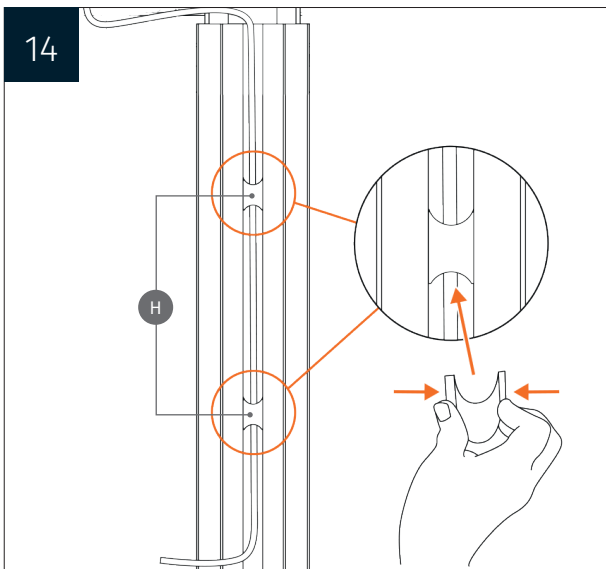
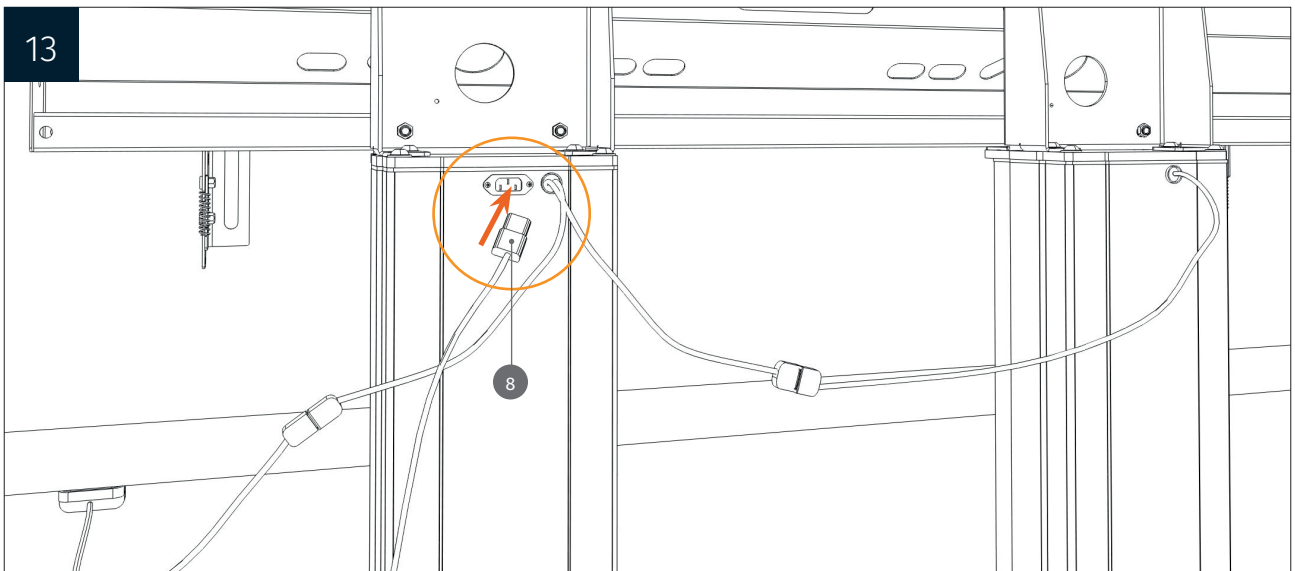
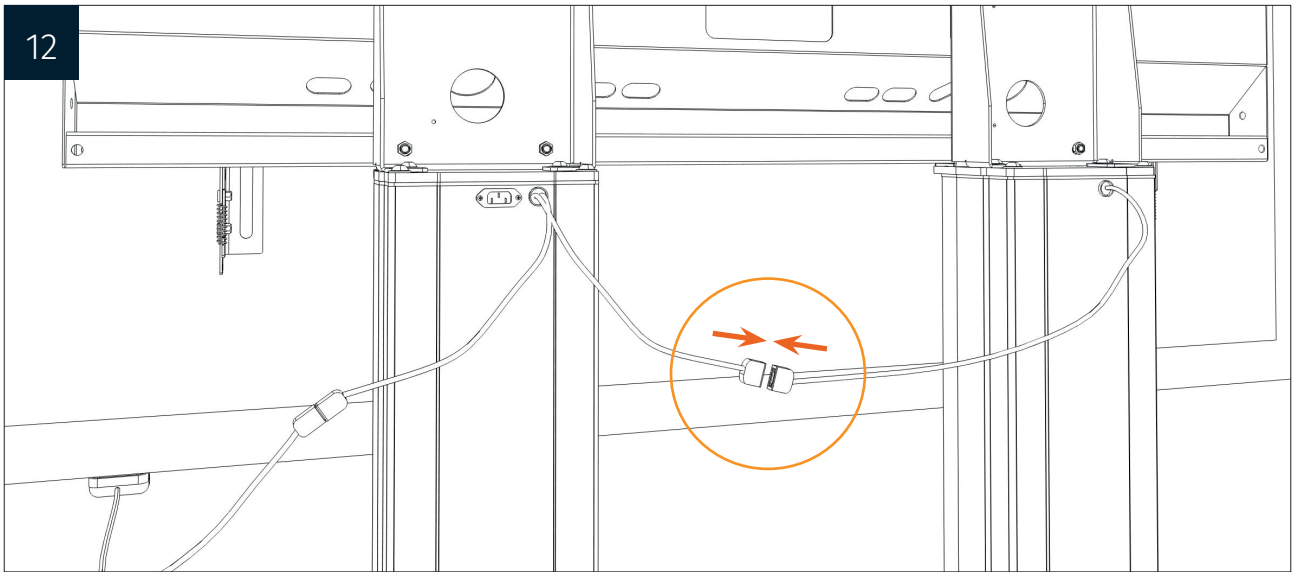
MOUNTING INSTRUCTIONS



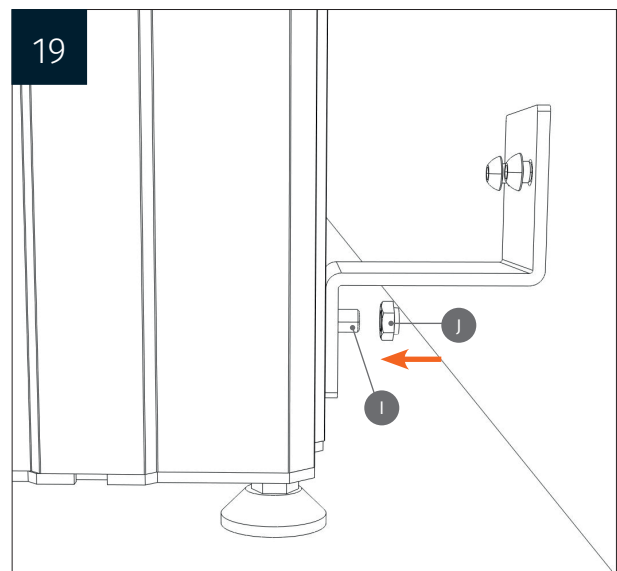
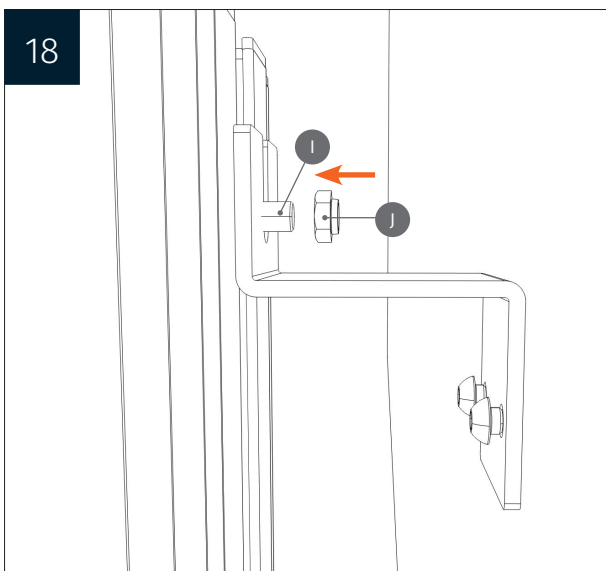
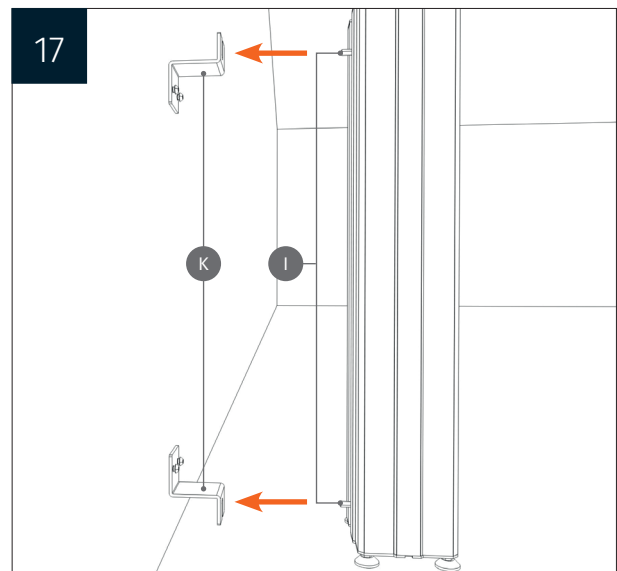
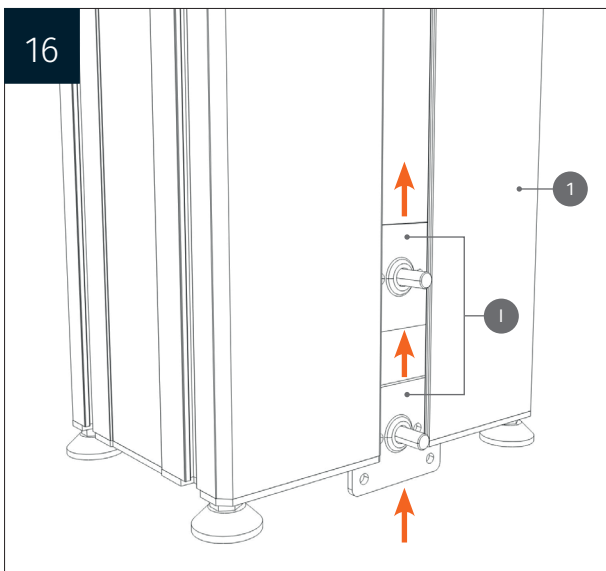
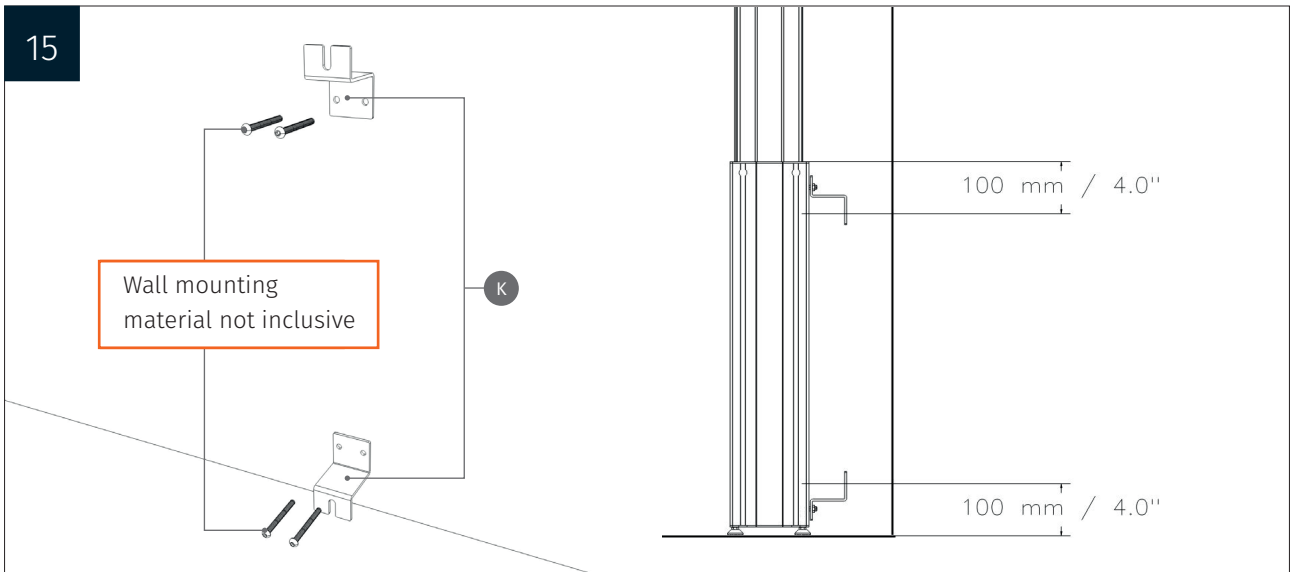
MOUNTING INSTRUCTIONS



MOUNTING INSTRUCTIONS



MOUNTING INSTRUCTIONS



MOUNTING INSTRUCTIONS

