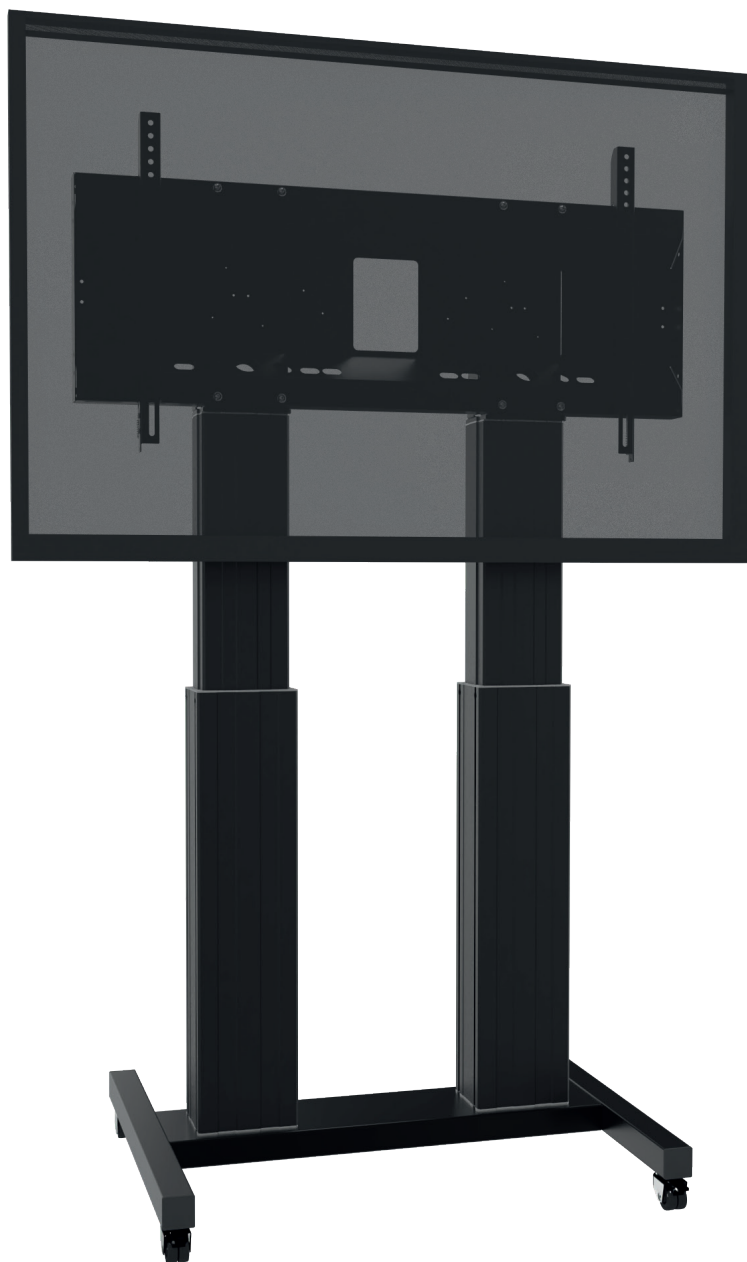
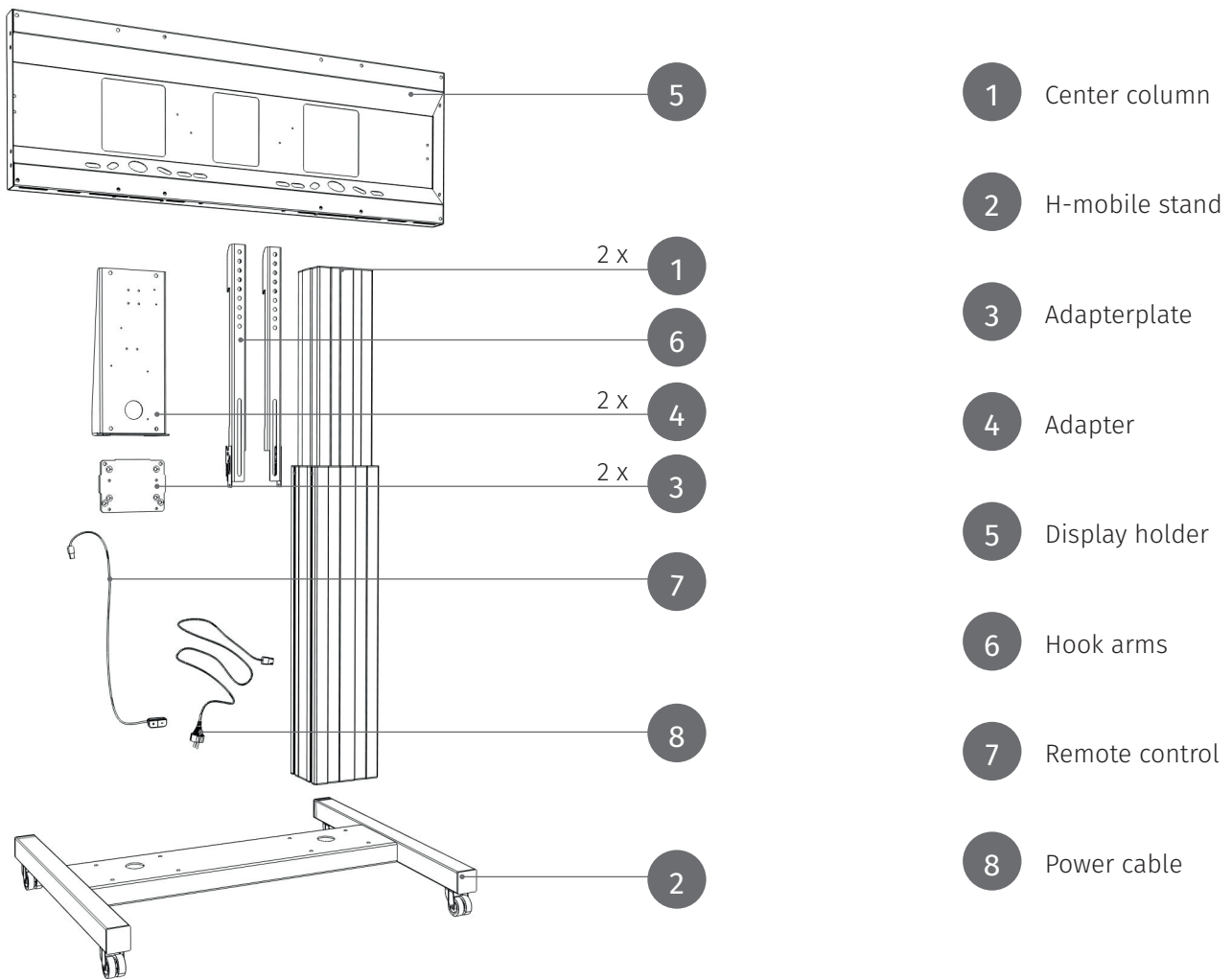


Adjustable mobile stand
for 70 – 120" display



PACKAGE CONTENTS



A

12 x M8 x 40
 Lenshead Allen
 screw with flange



B

8 x M8 x 75
 Lenshead Allen
 screw with flange



C

4 x M8 x 40
 Countersunk



D

8 x M8 x 10
 Lenshead Allen
 screw with flange

Depending on the display



E

8 x M8
 self-locking nut



F

4 x M8 x 16



F

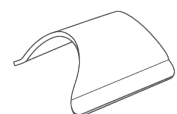
4 x M6 x 16

Lenshead Allen screw with flange



G

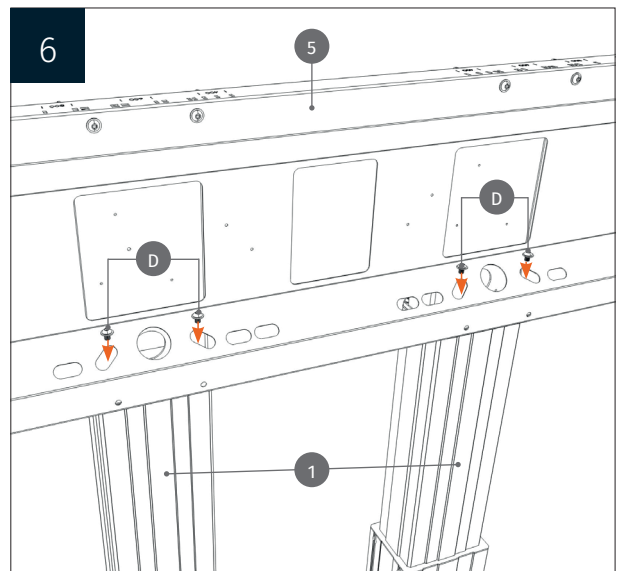
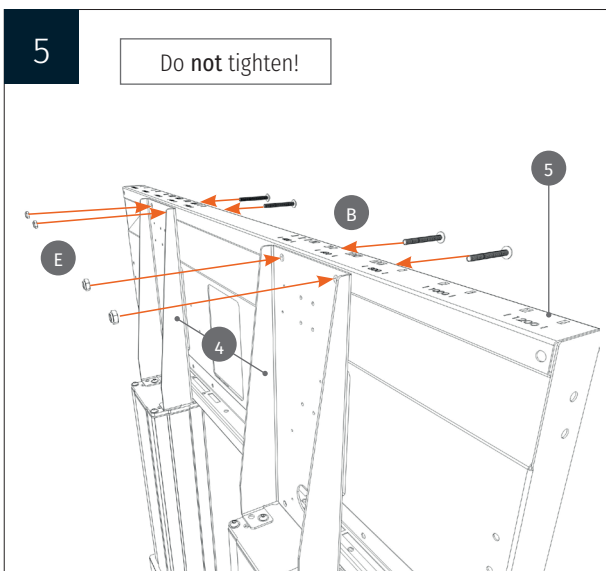
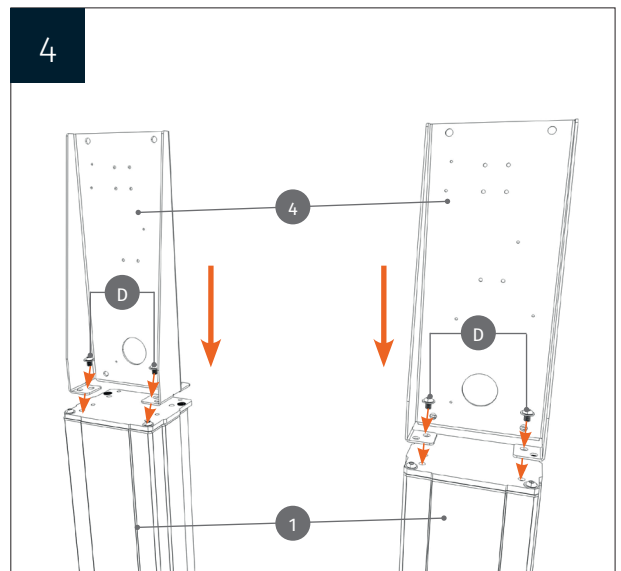
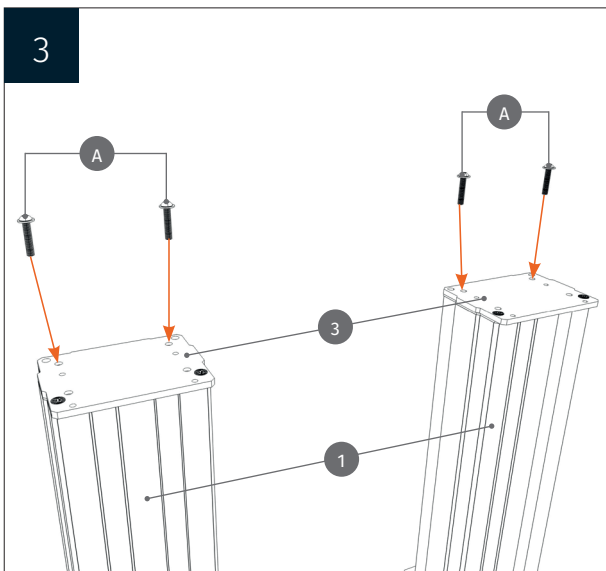
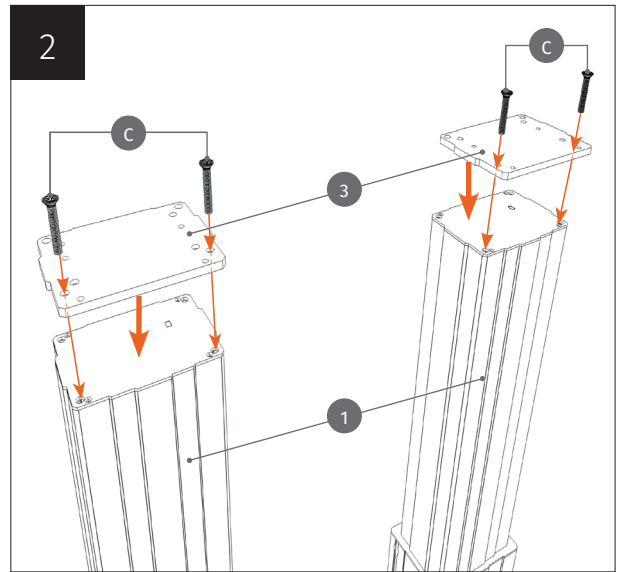
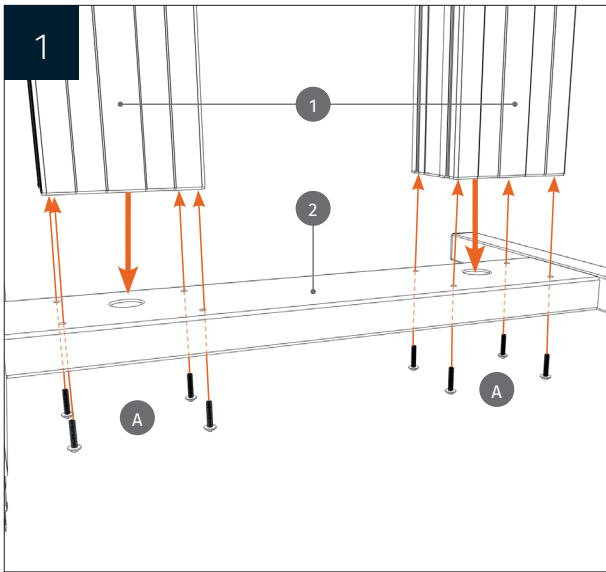
1 x
 Adhesive strip



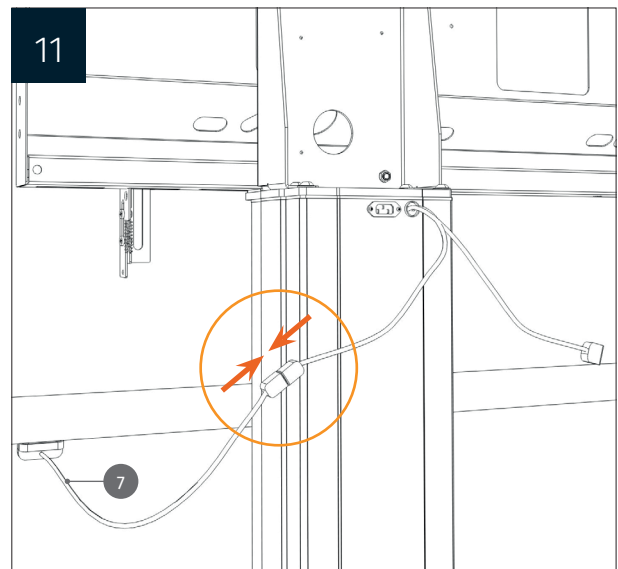
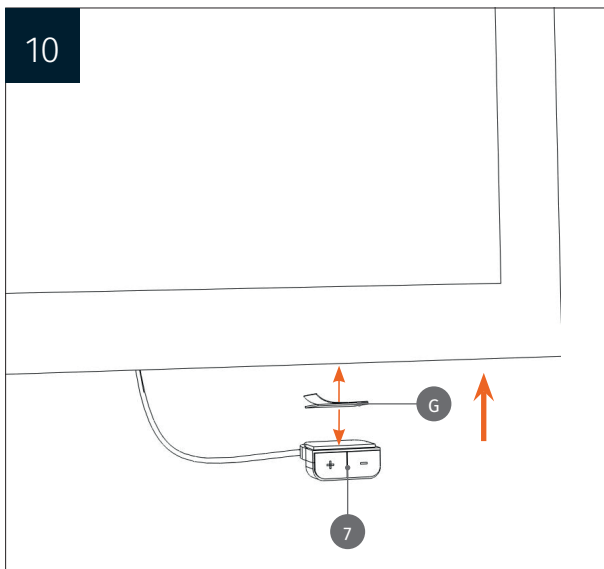
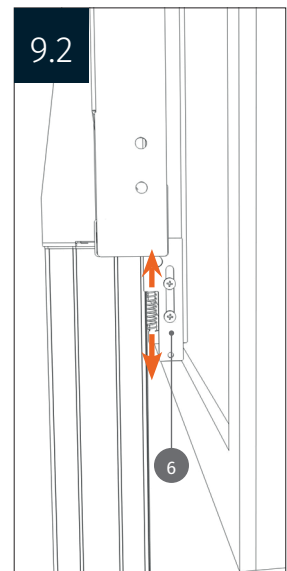
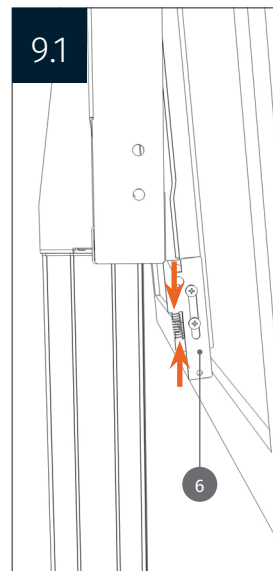
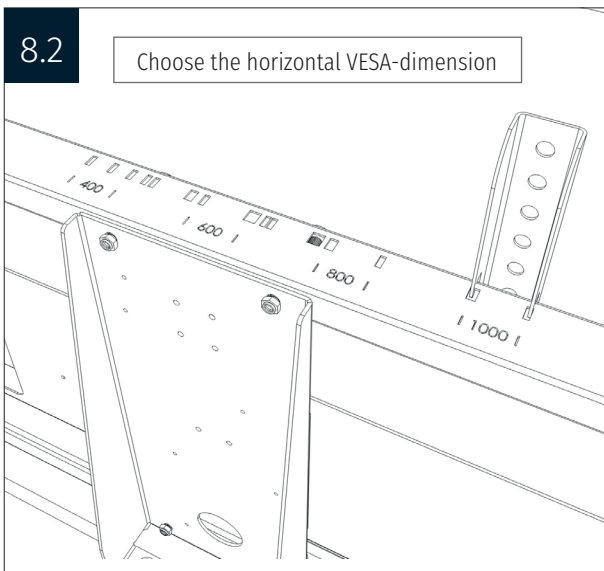
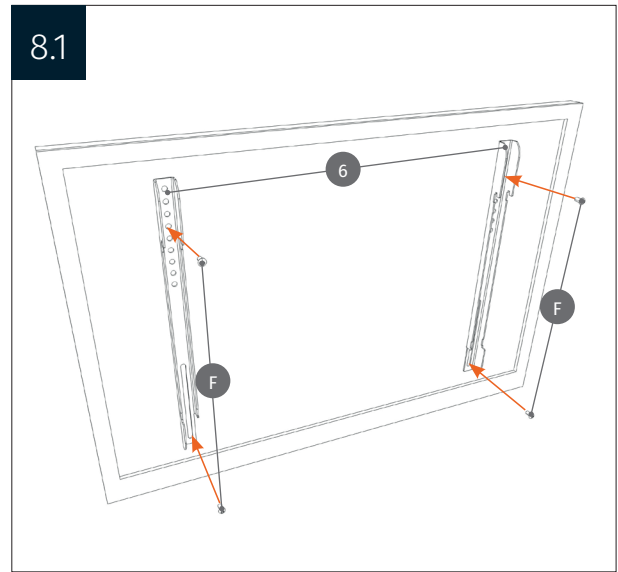
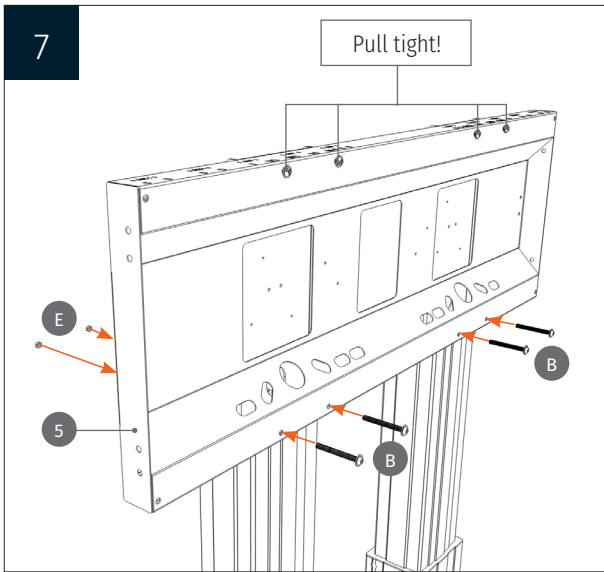
H

6 x
 Cable clamp

MOUNTING INSTRUCTIONS



MOUNTING INSTRUCTIONS



MOUNTING INSTRUCTIONS

