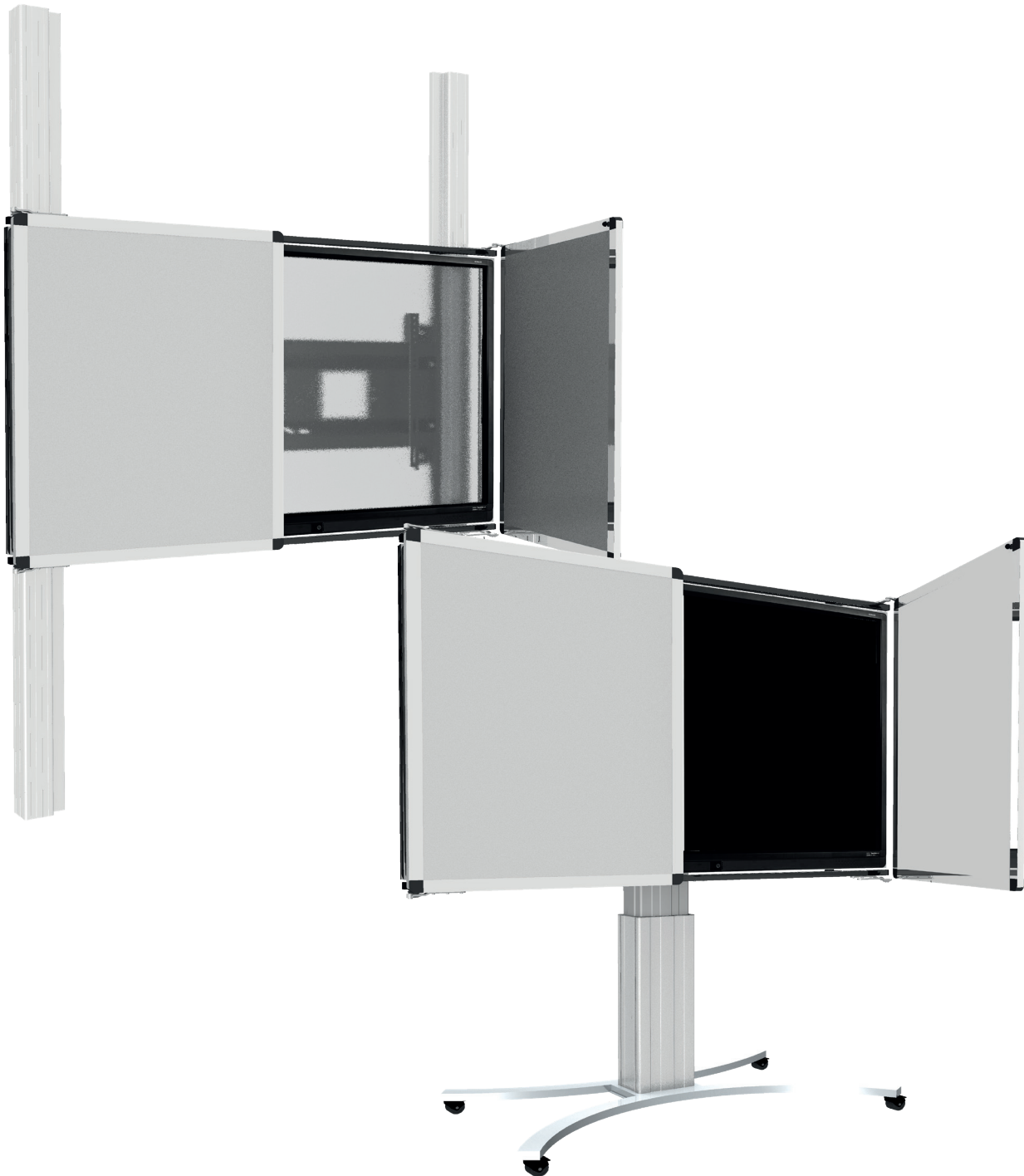
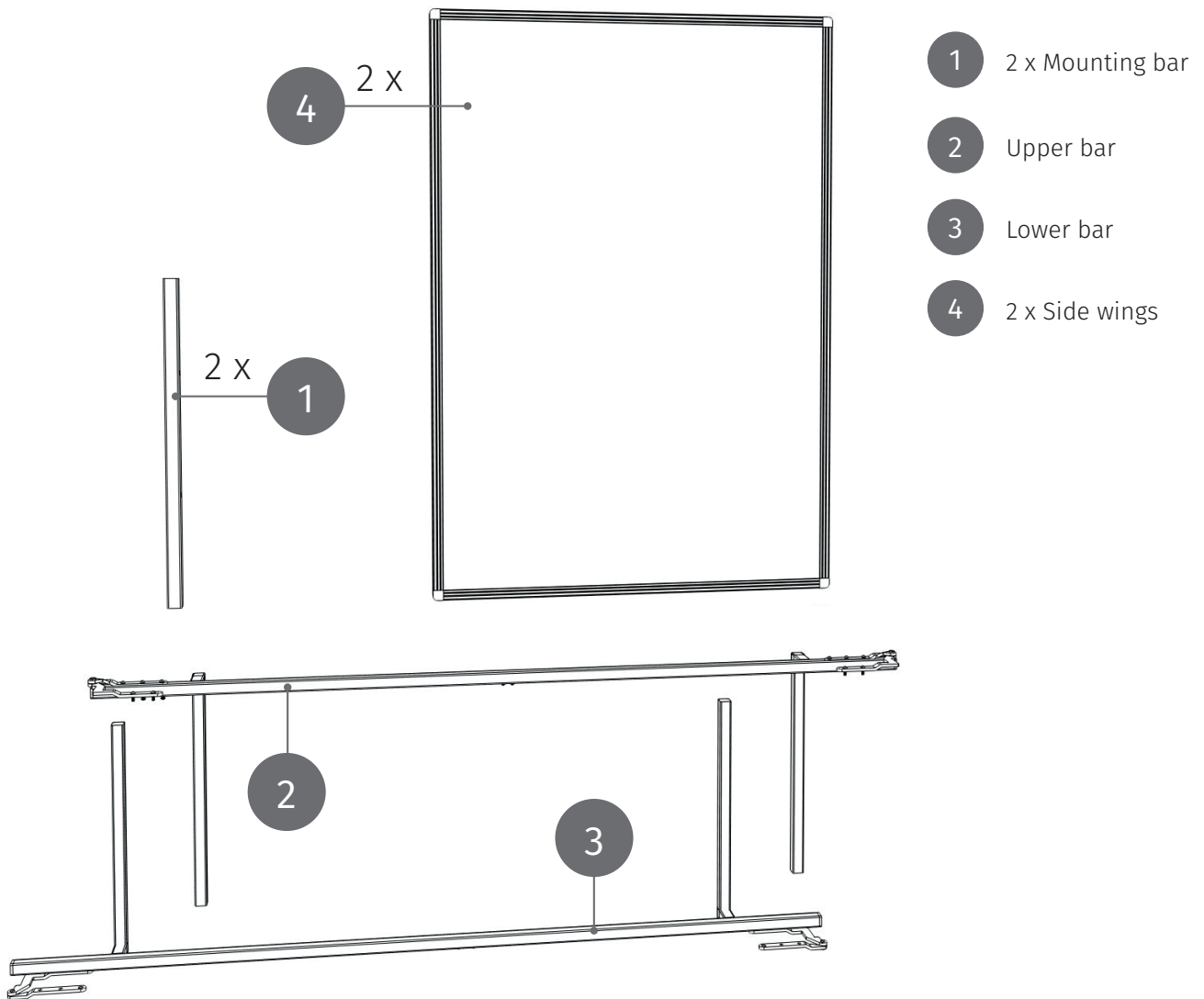


Whiteboard wings for display mounts



PACKAGE CONTENTS



A
4 x M8 x 16
Lenshead Allen
screw with flange



A.1
4 x M8 x 40
Lenshead Allen
screw with flange



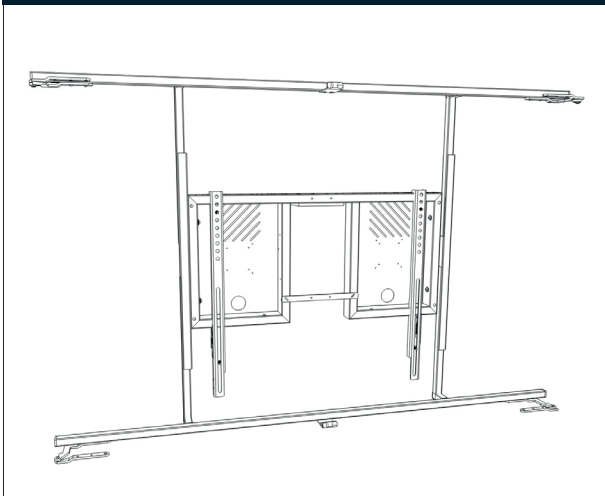
B
12 x 4,2 x 25
Self-tapping screw



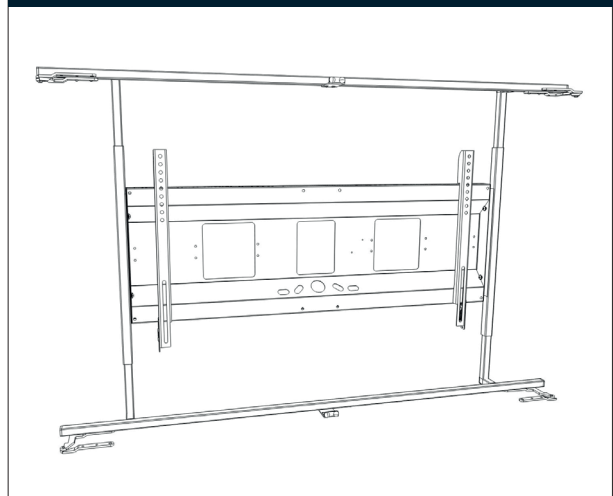
C
4 x
Buffer

MOUNTING INSTRUCTIONS

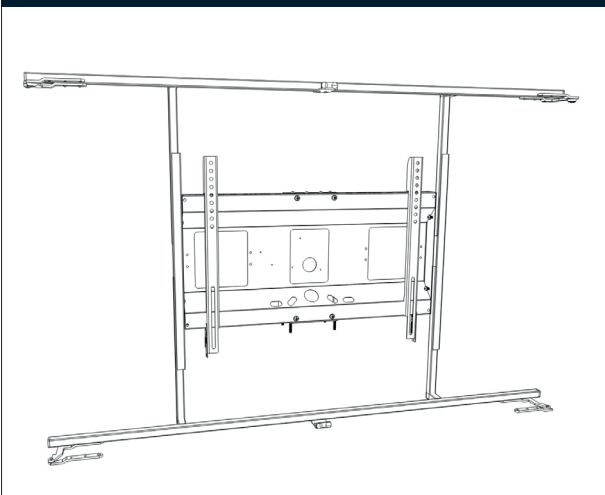
Mounting on AF-SCETAR



Mounting on AF-SCETAN12, AF-PY-N12

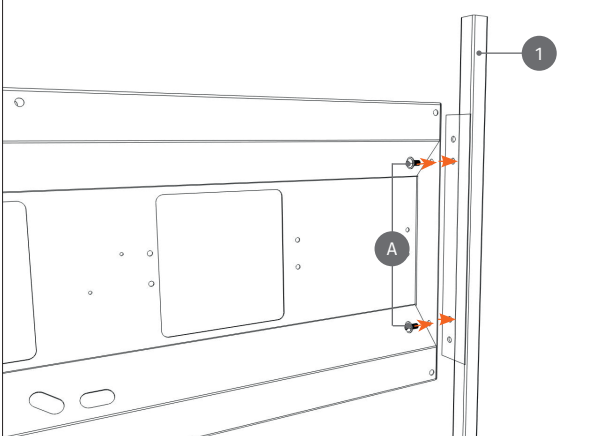


Mounting on AF-SCETAN, AF-PY-N

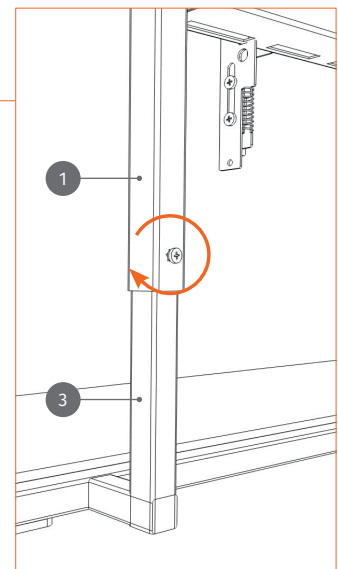
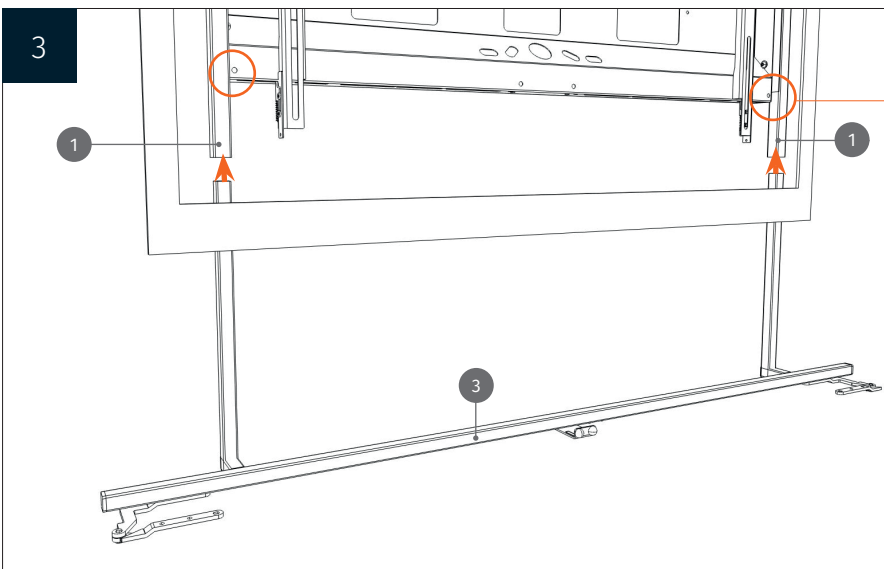
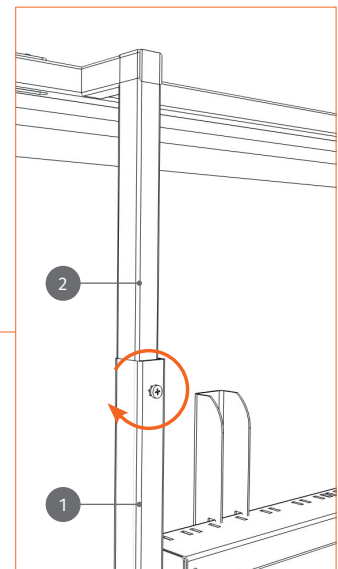
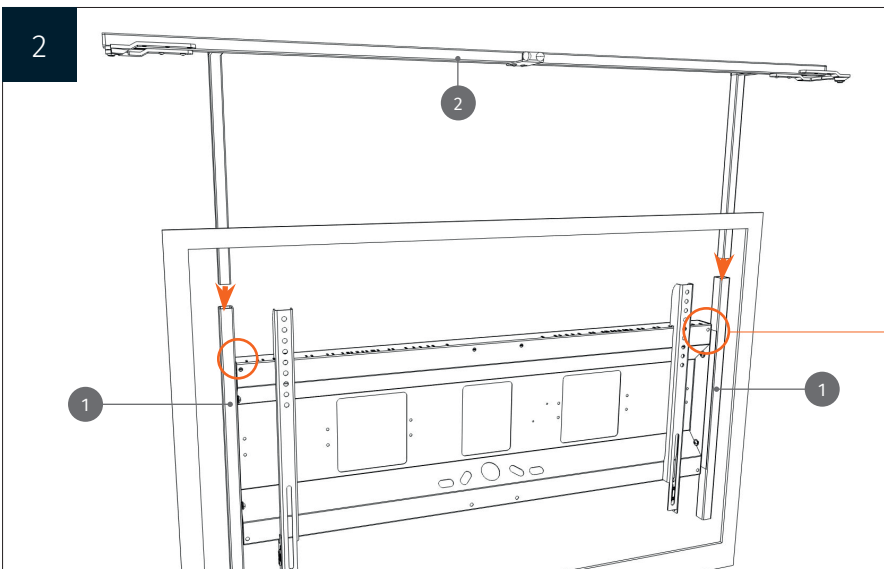
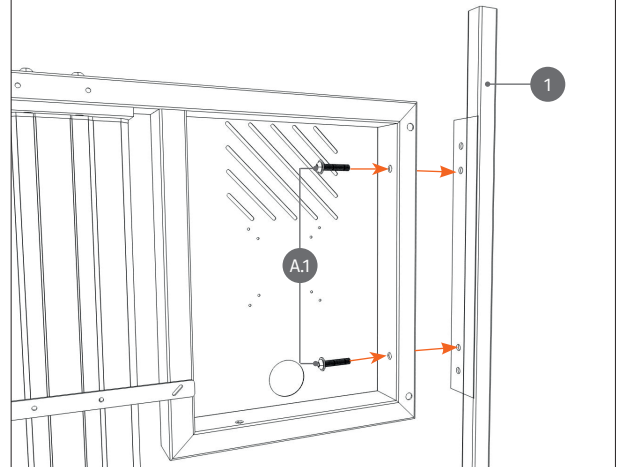


MOUNTING INSTRUCTIONS

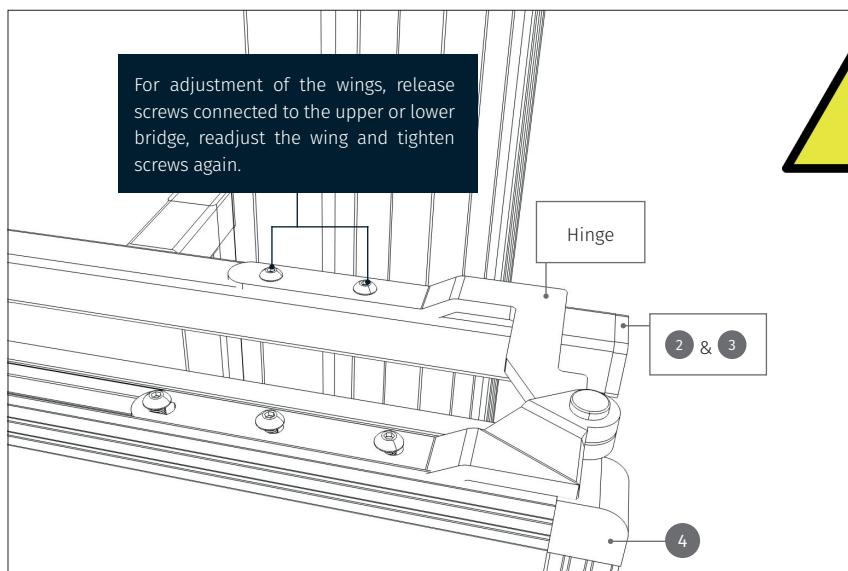
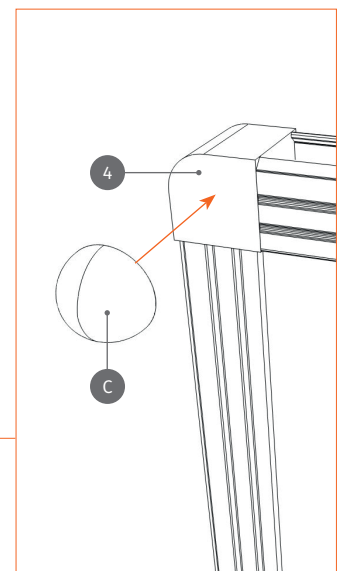
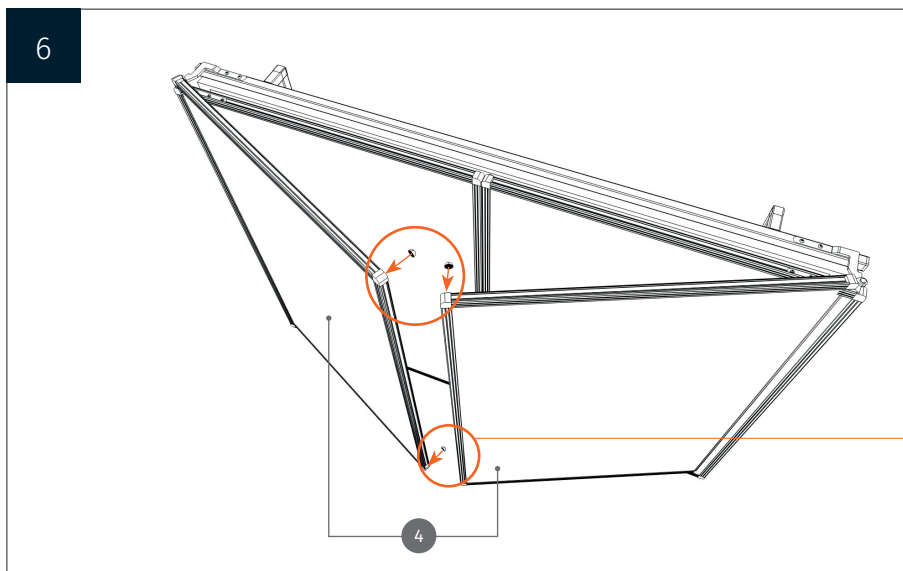
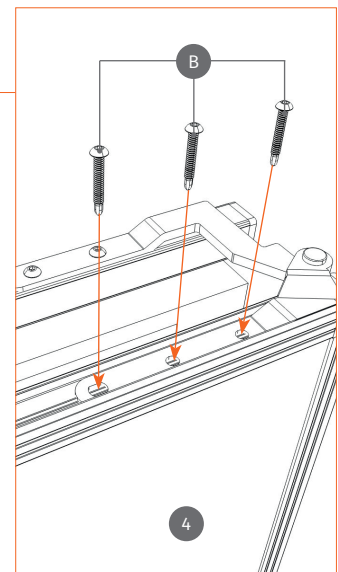
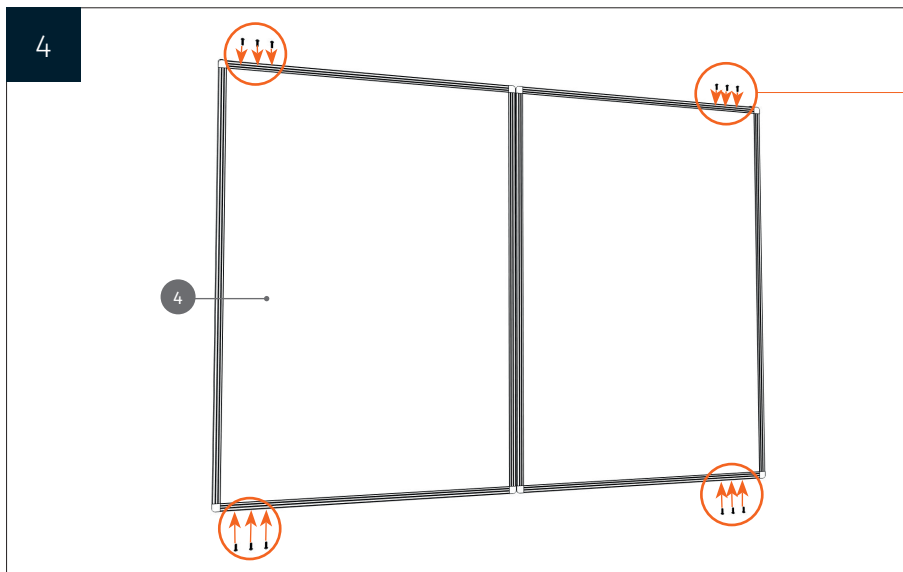
1.1 Mounting on AF-SCETAN, AF-PY-N AF-SCETAN12, AF-PY-N12



1.2 Mounting on AF-SCETAR



MOUNTING INSTRUCTIONS



For adjustment of the wings, release screws connected to the upper or lower bridge, readjust the wing and tighten screws again.



Please check the sliding path on an manually height-adjustable pylon systems.

If necessary, move the upper limit stoppers up or down, so that the display does not hit the ceiling or the counterweights do not touch the floor.

