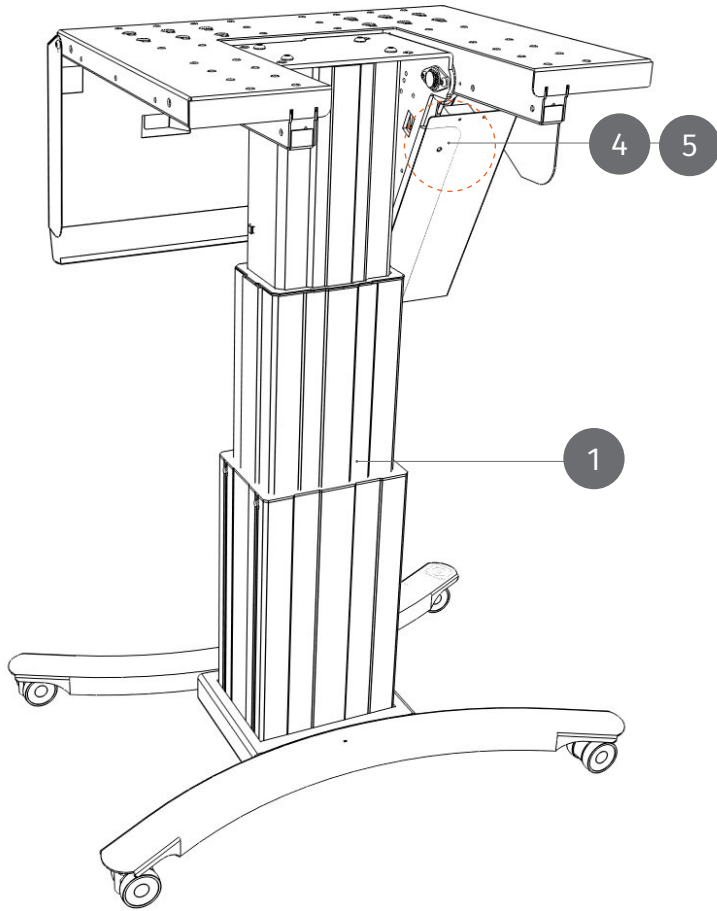


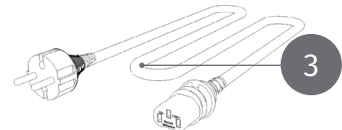
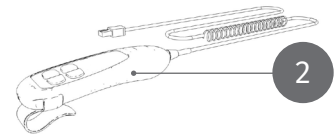
Mini convertible Mobile Stand with anti-collision



PACKAGE CONTENTS



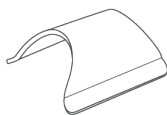
- 1 Mini tiltable mobile Stand
- 2 Remote control
- 3 Power cable
- 4 Anti-collision sensor
- 5 Control unit



Depending on the display



- A 4 x M8 x 20
Lenshead Allen screw
- A 4 x M6 x 20
Lenshead Allen screw

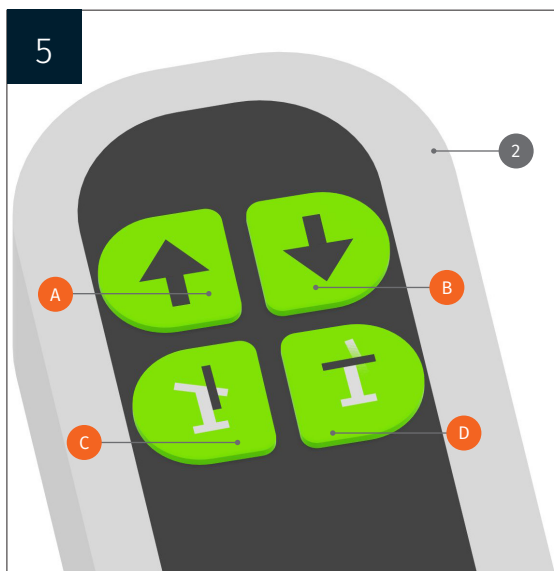
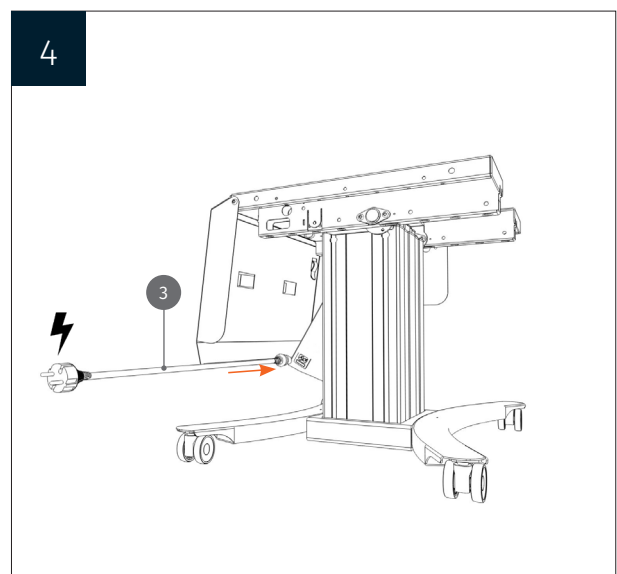
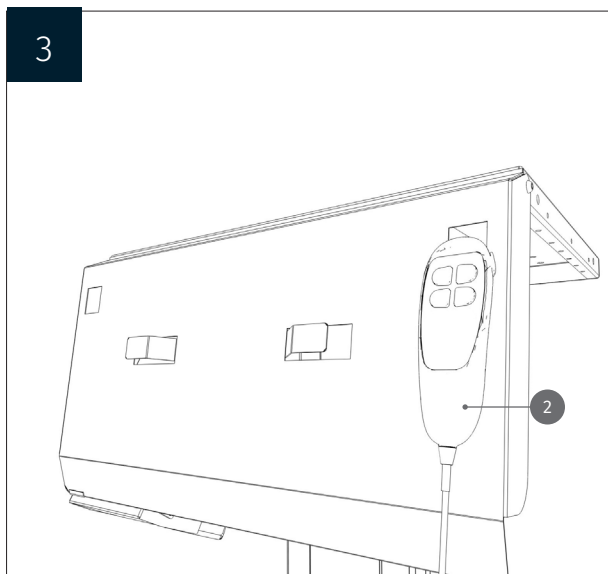
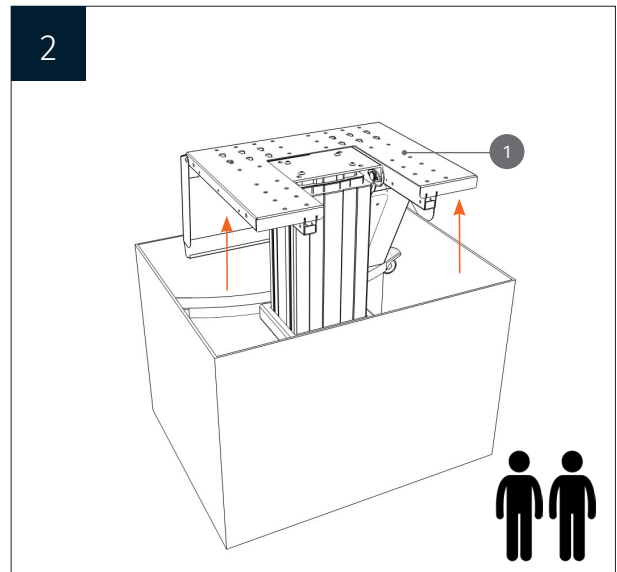
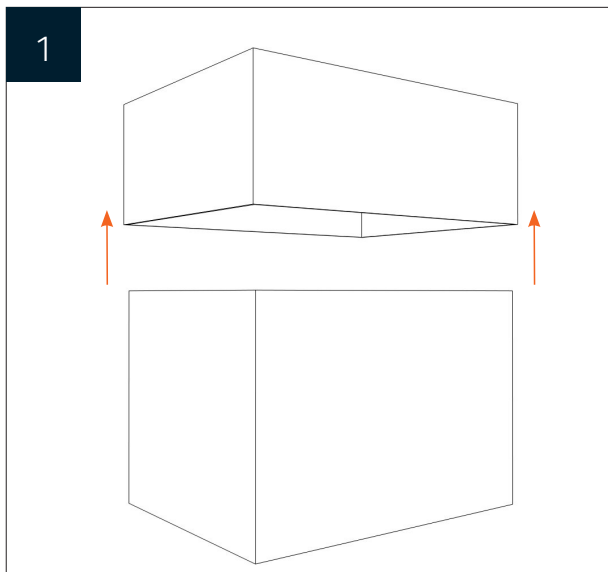


- B 3 x
Cable clamp



- C 3 x
Cable fixing clip

MOUNTING INSTRUCTIONS



For moving the unit up or down just press and hold the buttons on the control unit. Releasing the button will immediately stop the movement. So in case of emergency just unhand the control unit (watchdog switch).

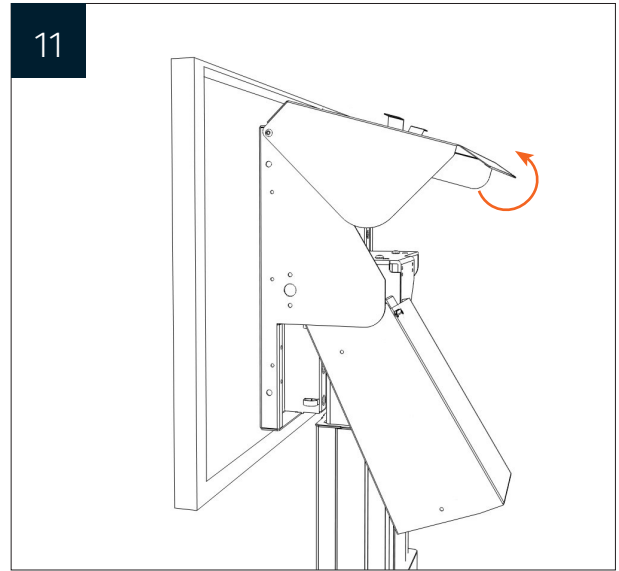
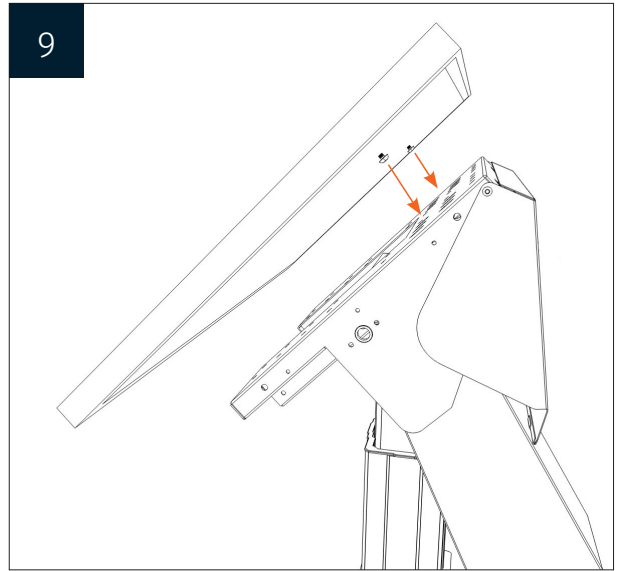
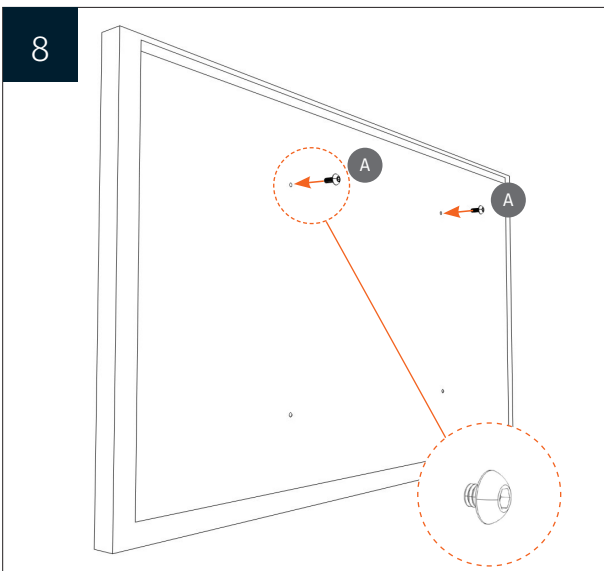
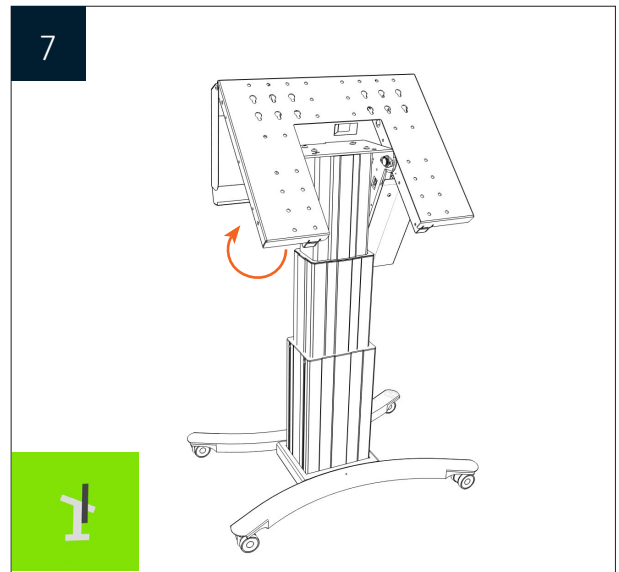
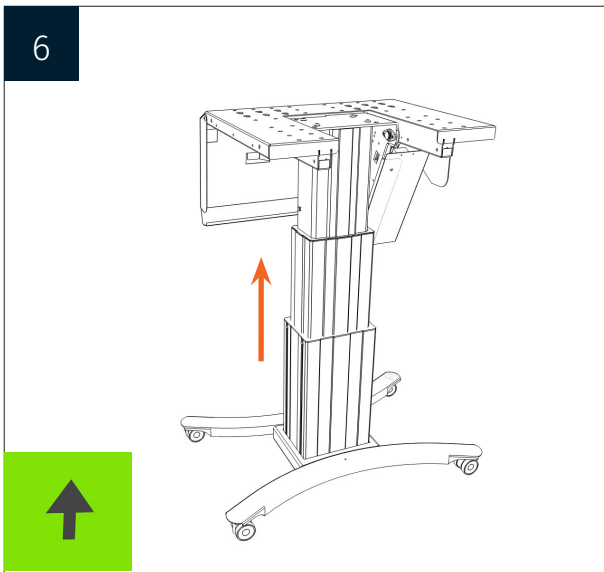
Height adjustable

- A** Up
- B** Down

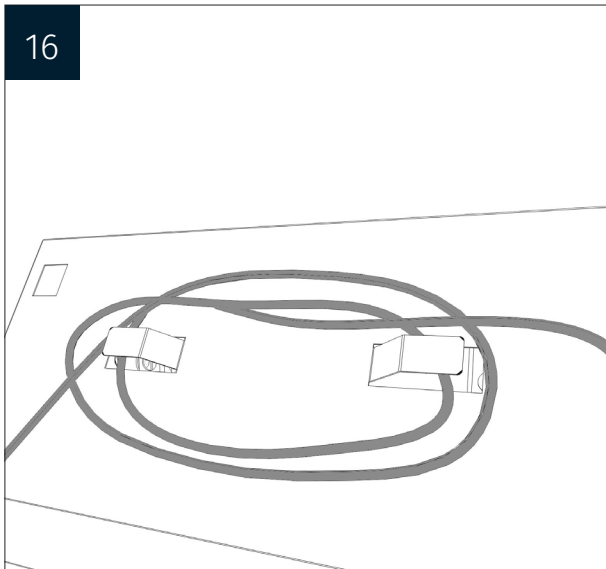
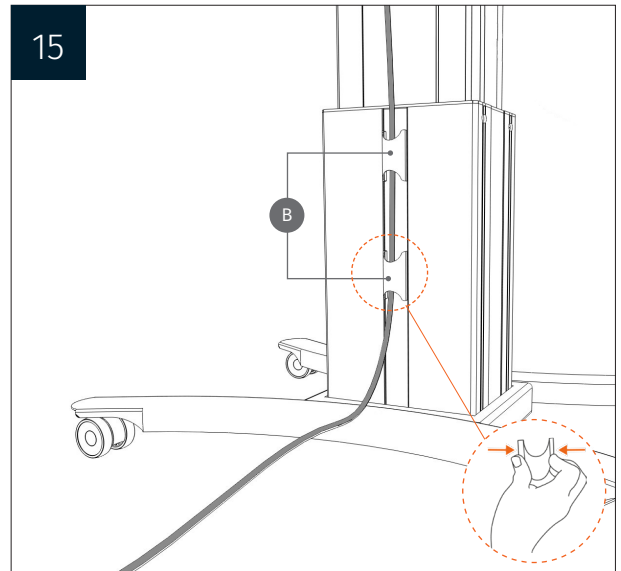
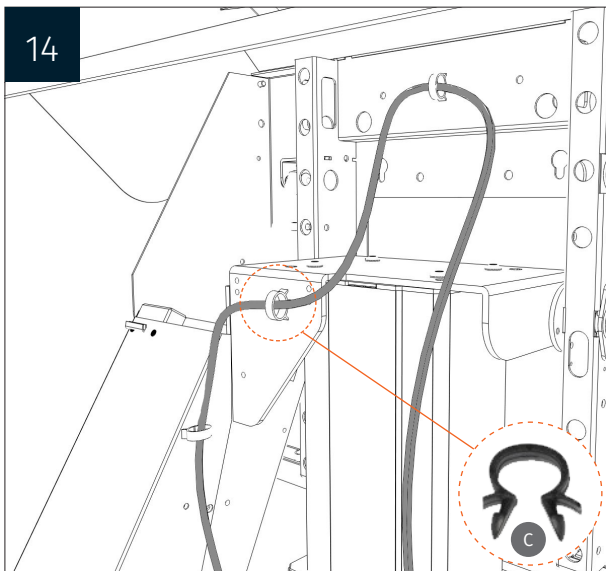
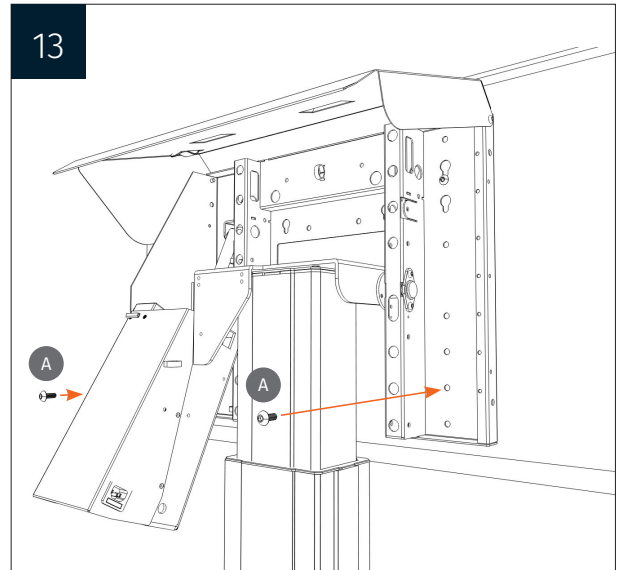
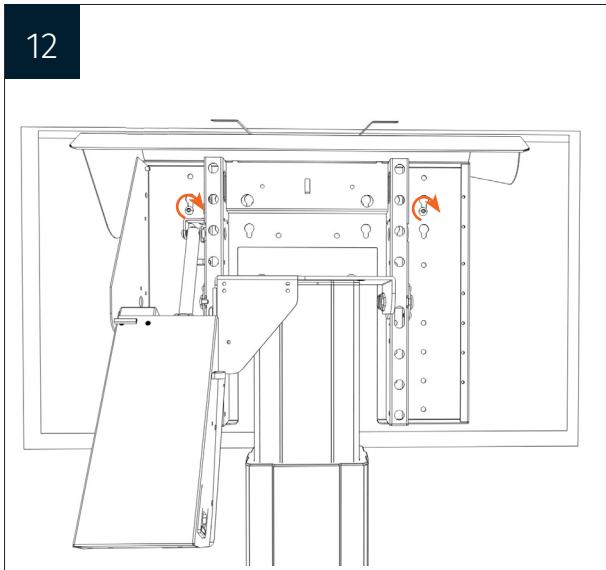
Tiltable

- C** Vertical position
- D** Horizontal position

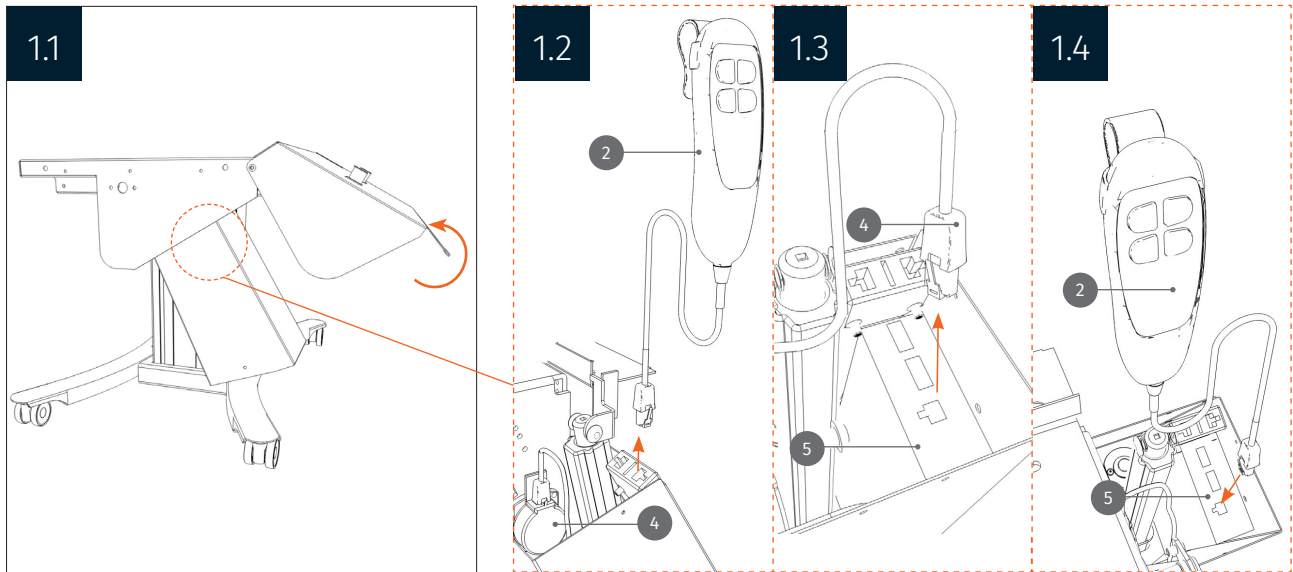
MOUNTING INSTRUCTIONS



MOUNTING INSTRUCTIONS



TROUBLE SHOOTING

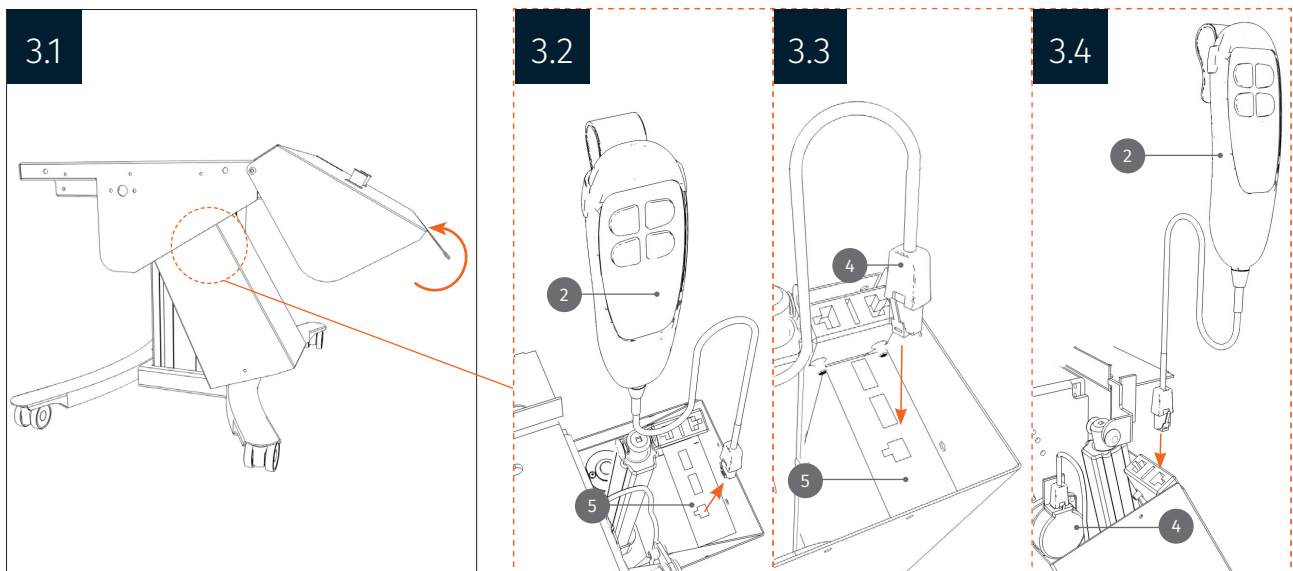


2

System is pre-calibrated.
PLEASE RECALIBRATE **ONLY** IN CASE OF ERROR.

Trouble Shooting:

- 1** Press key **↑** and **↓** simultaneously until you hear 1 x audio signal
- 2** Press key **↓** until you hear 3 x audio signal
- 3** Press key **↑** and hold on until the column reached the maximum position and you can hear 2 x audio signal.



MOUNTING REGULATIONS

IMPORTANT HAZARD & SAFETY NOTES

Please carefully read the below hazard and safety notes before using the height adjustment unit. This adds to make the unit work failure-free and avoids accidents.



ELECTRICAL SAFETY

Connect unit to a free accessible 110 - 230 V / 50 - 60 Hz grounded power outlet only. Make sure, the unit can be immediately separated from the power outlet. Only use unit in dry rooms, protect unit from water and other liquids. Only wipe unit with dry cloth. Do not open lift unit. **RISK OF ELECTRIC SHOCK**. There are no serviceable parts inside. In case of disfunction unplug unit from power outlet and call an authorised technical service person. Do not overrun power cord or damage in any other way. Replace damaged line cords immediately with new one from same type.



The socket connections of the unit and the wall socket must be easily accessible.



The device **is not dripping or splash water protected**. Do not place objects filled with liquids on or spray the device.



GENERAL HINTS FOR MECHANICAL SAFETY

Do not improperly load unit. Do not hang on unit. **VERY HEAVY UNIT**. Severe risk of injury when unit falls over due to improper usage. Only use original mounting parts provided with the system. Max load of lift unit is 150 kg / 330 lbs. Do not exceed. Assure installation of unit by authorized service person only. Before moving the unit up or down assure at least a safety distance of 20 cm / 7.9" from any part of the unit to any other fitment in order to avoid shear traps or squeezing points. In case of accident please release operating panel. Movement of unit will stop immediately.



SPECIAL HINTS FOR WALL MOUNTED UNITS

Use appropriate wall mounting material only. Choose douwels and screws according to the wall type and material. Using improper mounting material may result in tilting of the unit and severe risk of injury. Wall mounting must be done by experienced personal only.



INSTRUCTIONS FOR DISPOSAL

Do not dispose to consumer waste.

